

Dell™ Inspiron™ 2600 and 2650

# System Information Guide

Příručka k zařízení

Rendszerinformációs kézikönyv

Przewodnik – informacje o systemie

Priročnik z informacijami o sistemu

Руководство по системе

גידמ עדימ תכרעמל



Model PP04L



[www.dell.com](http://www.dell.com) | [support.dell.com](http://support.dell.com)



Dell™ Inspiron™ 2600 and 2650

# System Information Guide



# Hints, Notices, and Cautions



**HINT:** A HINT indicates important information that helps you make better use of your computer.



**NOTICE:** A NOTICE indicates either potential damage to hardware or loss of data and tells you how to avoid the problem.



**CAUTION:** A CAUTION indicates a potential for property damage, personal injury, or death.

# Abbreviations and Acronyms

For a complete list of abbreviations and acronyms, see the *Tell Me How* help file. (In the Microsoft® Windows® XP operating system, click the **Start** button on the Windows desktop, click **Help and Support**, click **User and system guides**, click **user's guides**, and then click **Tell Me How**. In Windows 2000, click the **Start** button, point to **Programs**, point to **User's Guides**, and then click **Tell Me How**.)

---

Information in this document is subject to change without notice.  
© 2001–2002 Dell Computer Corporation. All rights reserved.

Reproduction in any manner whatsoever without the written permission of Dell Computer Corporation is strictly forbidden.

Trademarks used in this text: *Dell*, the *DELL* logo, *AccessDirect*, *TrueMobile*, and *Inspiron* are trademarks of Dell Computer Corporation; *Microsoft* and *Windows* are registered trademarks of Microsoft Corporation; *ENERGY STAR* is a registered trademark of the U.S. Environmental Protection Agency. As an ENERGY STAR Partner, Dell Computer Corporation has determined that this product meets the ENERGY STAR guidelines for energy efficiency.

Other trademarks and trade names may be used in this document to refer to either the entities claiming the marks and names or their products. Dell Computer Corporation disclaims any proprietary interest in trademarks and trade names other than its own.

# Contents

<b>Safety and Use Instructions</b> . . . . .	<b>5</b>
Caution: Safety Instructions . . . . .	5
When Using Your Computer . . . . .	9
Ergonomic Computing Habits . . . . .	11
When Removing or Installing Memory Modules . . . . .	12
Protecting Against Electrostatic Discharge . . . . .	13
<b>Getting Started</b> . . . . .	<b>14</b>
Connecting the AC Adapter . . . . .	14
Turning On the Computer . . . . .	15
Computer Components . . . . .	16
Removing a Battery . . . . .	18
Installing a Battery . . . . .	19
<b>Regulatory Notices</b> . . . . .	<b>19</b>
CE Notice (European Union) . . . . .	20
EN 55022 Compliance (Czech Republic Only) . . . . .	21
Polish Center for Testing and Certification Notice . . . . .	22
Battery Disposal . . . . .	23
ENERGY STAR® Compliance . . . . .	24
ENERGY STAR® Emblem . . . . .	24



# Safety and Use Instructions



## Caution: Safety Instructions

The following information defines the meaning of *additional* symbols used *only* in "Safety and Use Instructions."



Risk of explosion



Aircraft



Risk of fire



Use of this feature may be prohibited on aircraft



Risk of electric shock



## Caution: General (Safety Instructions, *continued*)

- Do not attempt to service the computer yourself unless you are an authorized service technician. Always follow installation instructions closely.
- If you use an extension power cable with your AC adapter, ensure that the total ampere rating of the products plugged in to the extension power cable does not exceed the ampere rating of the extension cable.
- Do not push objects into air vents or openings of your computer. Doing so can cause fire or electric shock by shorting out interior components.



- Place the AC adapter in a ventilated area, such as a desk top or on the floor, when you use it to run the computer or to charge the battery. Do not cover the AC adapter with papers or other items that will reduce cooling; also, do not use the AC adapter inside a carrying case.

- The AC adapter may become hot during normal operation of your computer. Use care when handling the adapter during or immediately after operation.
- Do not allow your portable computer to operate with the base resting directly on exposed skin for extended periods of time. The surface temperature of the base will rise during normal operation (particularly when AC power is present). Allowing sustained contact with exposed skin can cause discomfort or, eventually, a burn.



- Do not use your computer in a wet environment, for example, near a bath tub, sink, or swimming pool or in a wet basement.



- If your computer includes an integrated or optional (PC Card) modem, disconnect the modem cable if an electrical storm is approaching to avoid the remote risk of electric shock from lightning via the telephone line.



- To help avoid the potential hazard of electric shock, do not connect or disconnect any cables or perform maintenance or reconfiguration of this product during an electrical storm. Do not use your computer during an electrical storm unless all cables have been disconnected and the computer is operating on battery power.
- If your computer includes a modem, the cable used with the modem should be manufactured with a minimum wire size of 26 American wire gauge (AWG) and an FCC-compliant RJ-11 modular plug.
- PC Cards may become very warm during normal operation. Use care when removing PC Cards after their continuous operation.
- Before you clean your computer, remove power. Clean your computer with a soft cloth dampened with water. Do not use liquid or aerosol cleaners, which may contain flammable substances.





**Caution: Power (Safety Instructions, *continued*)**



- Use only the Dell-provided AC adapter approved for use with this computer. Use of another AC adapter may cause a fire or explosion.
- Before you connect the computer to an electrical outlet, check the AC adapter voltage rating to ensure that the required voltage and frequency match the available power source.
- To remove power from the computer, turn it off, remove the battery pack, and disconnect the AC adapter from the electrical outlet.



- To help prevent electric shock, plug the AC adapter and peripheral power cables into properly grounded power sources. These power cables may be equipped with three-prong plugs to provide an earth grounding connection. Do not use adapter plugs or remove the grounding prong from the power cable plug. If you use a power extension cable, use the appropriate type, two-prong or three-prong, to mate with the AC adapter power cable.
- Be sure that nothing rests on your AC adapter's power cable and that the cable is not located where it can be tripped over or stepped on.



- If you are using a multiple-outlet power strip, use caution when plugging the AC adapter's power cable into the power strip. Some power strips may allow you to insert the plug incorrectly. Incorrect insertion of the power plug could result in permanent damage to your computer, as well as risk of electric shock and/or fire. Ensure that the ground prong of the power plug is inserted into the mating ground contact of the power strip.

**Caution: Battery (Safety Instructions, *continued*)**

- Use only Dell battery modules that are approved for use with this computer. Use of other types may increase the risk of fire or explosion.



- Do not carry a battery pack in your pocket, purse, or other container where metal objects (such as car keys or paper clips) could short-circuit the battery terminals. The resulting excessive current flow can cause extremely high temperatures and may result in damage to the battery pack or cause fire or burns.

- The battery poses a burn hazard if you handle it improperly. Do not disassemble it. Handle a damaged or leaking battery pack with extreme care. If the battery is damaged, electrolyte may leak from the cells and may cause personal injury.

- Keep the battery away from children.



- Do not store or leave your computer or battery pack near a heat source such as a radiator, fireplace, stove, electric heater, or other heat-generating appliance or otherwise expose it to temperatures in excess of 60°C (140°F). When heated to excessive temperatures, battery cells could explode or vent, posing a risk of fire.



- Do not dispose of your computer's battery in a fire or with normal household waste. Battery cells may explode. Discard a used battery according to the manufacturer's instructions or contact your local waste disposal agency for disposal instructions. Dispose of a spent or damaged battery promptly.



### **Caution: Air Travel (Safety Instructions, *continued*)**



- Certain Federal Aviation Administration regulations and/or airline-specific restrictions may apply to the operation of your Dell™ computer while you are on board an aircraft. For example, such regulations/restrictions may prohibit the use of any personal electronic device (PED) that has the capacity for intentional transmission of radio frequency or other electromagnetic signals while on an aircraft.



- In order to best comply with all such restrictions, if your Dell portable computer is equipped with Dell TrueMobile™ or some other wireless communication device, please disable this device before you board the aircraft and follow all instructions provided by airline personnel with regard to such device.




- Additionally, the use of any PED, such as a portable computer, may be prohibited in aircraft during certain critical phases of flight, for example, takeoff and landing. Some airlines may further define the critical flight phase as any time the aircraft is below 3050 m (10,000 ft). Please follow the airline's specific instructions as to when the use of a PED is allowed.

### **When Using Your Computer**

Observe the following safe-handling guidelines to prevent damage to your computer:

- When setting up the computer for work, place it on a level surface.
- When traveling, do not check the computer as baggage. You can put your computer through an X-ray security machine, but never put your computer through a metal detector. If you have the computer checked by hand, be sure to have a charged battery available in case you are asked to turn on the computer.
- When traveling with the hard drive removed from the computer, wrap the drive in a nonconducting material, such as cloth or paper. If you have the drive checked by hand, be ready to install the drive in the computer. You can put the hard drive through an X-ray security machine, but never put the drive through a metal detector.

- When traveling, do not place the computer in overhead storage compartments where it could slide around. Do not drop your computer or subject it to other mechanical shocks.
  - Protect your computer, battery, and hard drive from environmental hazards such as dirt, dust, food, liquids, temperature extremes, and overexposure to sunlight.
  - When you move your computer between environments with very different temperature and/or humidity ranges, condensation may form on or within the computer. To avoid damaging the computer, allow sufficient time for the moisture to evaporate before using the computer.
-  **NOTICE:** When taking the computer from low-temperature conditions into a warmer environment or from high-temperature conditions into a cooler environment, allow the computer to acclimate to room temperature before turning on power.
- When you disconnect a cable, pull on its connector or on its strain-relief loop, not on the cable itself. As you pull out the connector, keep it evenly aligned to avoid bending any connector pins. Also, before you connect a cable make sure both connectors are correctly oriented and aligned.
  - Handle components with care. Hold a component such as a memory module by its edges, not its pins.
  - When preparing to remove a memory module from the system board or disconnect a peripheral device from the computer, turn off the computer, disconnect the AC adapter cable, and then wait 5 seconds before proceeding to help avoid possible damage to the system board.
  - Clean the display with a soft, clean cloth and commercial window cleaner that does not contain wax or abrasives. Apply the cleaner to the cloth; then stroke the cloth across the display in one direction, moving from the top of the display to the bottom. If the display contains grease or some other contaminant, use isopropyl alcohol instead of commercial window cleaner.
  - If your computer gets wet or is damaged, follow the procedures described in “Solving Problems” in the *Owner’s Manual*. If, after following these procedures, you confirm that your computer is not operating properly, contact Dell (see See "Contacting Dell" in the *Owner’s Manual* for the appropriate contact information).

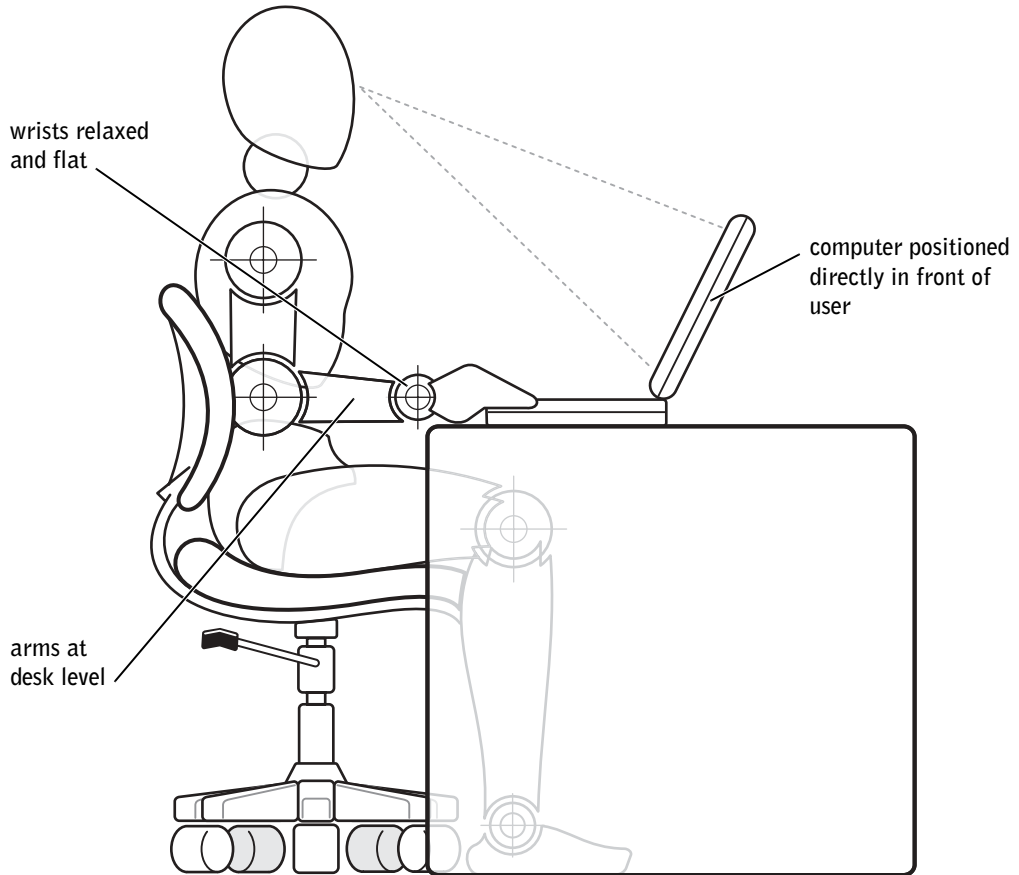
## Ergonomic Computing Habits

 **CAUTION: Improper or prolonged keyboard use may result in injury.**

 **CAUTION: Viewing the display or external monitor screen for extended periods of time may result in eye strain.**

For comfort and efficiency, observe the following ergonomic guidelines when setting up and using your computer:

- Position your computer directly in front of you as you work.
- Adjust the tilt of the computer's display, its contrast and/or brightness settings, and the lighting around you (such as overhead lights, desk lamps, and the curtains or blinds on nearby windows) to minimize reflections and glare on the display.
- When using an external monitor with your computer, set the monitor at a comfortable viewing distance (usually 510 to 610 millimeters [20 to 24 inches] from your eyes). Make sure the monitor screen is at eye level or slightly lower when you are sitting in front of the monitor.
- Use a chair that provides good lower-back support.
- Keep your forearms horizontal with your wrists in a neutral, comfortable position while using the keyboard, touch pad, track stick, or external mouse.
- Always use the palm rest with the keyboard, touch pad, or track stick. Leave space to rest your hands when using an external mouse.
- Let your upper arms hang naturally at your sides.
- Sit erect with your feet resting on the floor and your thighs level.
- When sitting, make sure the weight of your legs is on your feet and not on the front of your chair seat. Adjust your chair's height or use a footrest, if necessary, to maintain proper posture.
- Vary your work activities. Try to organize your work so that you do not have to type for extended periods of time. When you stop typing, try to do things that use both hands.



### When Removing or Installing Memory Modules

Before removing or installing memory modules, perform the following steps in the sequence indicated.


**⚠ NOTICE:** Wait 5 seconds after turning off the computer before disconnecting a peripheral device or removing a memory module to help prevent possible damage to the system board.

- 1 Turn off your computer and any attached peripherals.
- 2 Disconnect your computer and peripherals from electrical outlets to reduce the potential for personal injury or shock. Also, disconnect any telephone or telecommunication lines from the computer.

- 3 Remove the main battery from the battery compartment and, if necessary, the secondary battery from the module bay.
- 4 Ground yourself by touching the unpainted metal surface of the I/O panel on the back of the computer.

While you work, periodically touch the I/O panel to dissipate any static electricity that might harm internal components.

The following notice may appear throughout your Dell documentation to remind you of these precautions:

 **NOTICE:** See “Protecting Against Electrostatic Discharge” in your *System Information Guide*.

## Protecting Against Electrostatic Discharge

Static electricity can harm electronic components inside your computer. To prevent static damage, discharge static electricity from your body before you touch any of your computer’s electronic components, such as a memory module. You can do so by touching an unpainted metal surface on the computer’s I/O panel.

As you continue to work inside the computer, periodically touch an I/O connector to remove any static charge your body may have accumulated.

You can also take the following steps to prevent damage from electrostatic discharge (ESD):

- When unpacking a static-sensitive component from its shipping carton, do not remove the component from the antistatic packing material until you are ready to install the component. Just before unwrapping the antistatic packaging, be sure to discharge static electricity from your body.
- When transporting a sensitive component, first place it in an antistatic container or packaging.
- Handle all sensitive components in a static-safe area. If possible, use antistatic floor pads and workbench pads.

## Getting Started

To set up your computer:

- 1 Unpack the accessories box.
- 2 Set aside the contents of the accessories box, which you will need to complete the setup of your computer.

The accessories box also contains user documentation and any software or additional hardware (such as PC Cards, drives, or batteries) you have ordered.

### Connecting the AC Adapter






## Turning On the Computer

To turn on the computer, open the computer display and press the power button.


power  
button

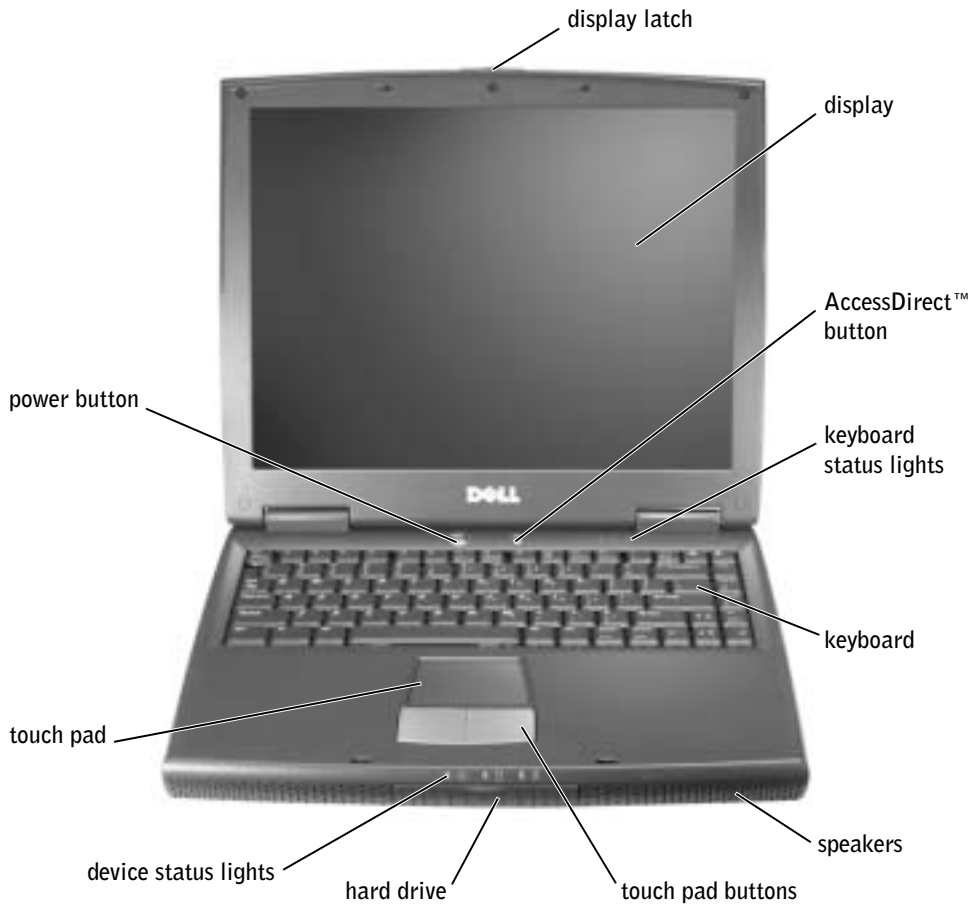


 **HINT:** Do not connect any USB device, such as a printer or a port replicator to the computer until the computer has been turned on and shut down at least once.

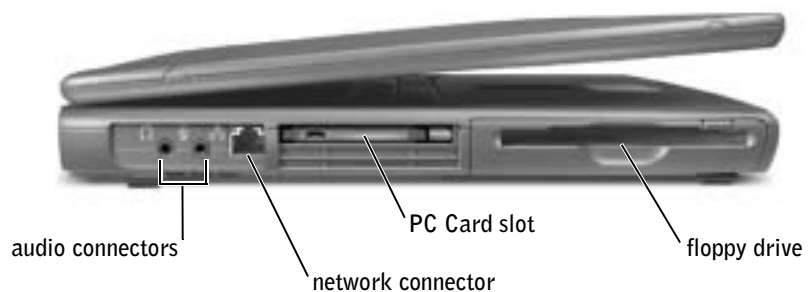
## Computer Components

### Front View

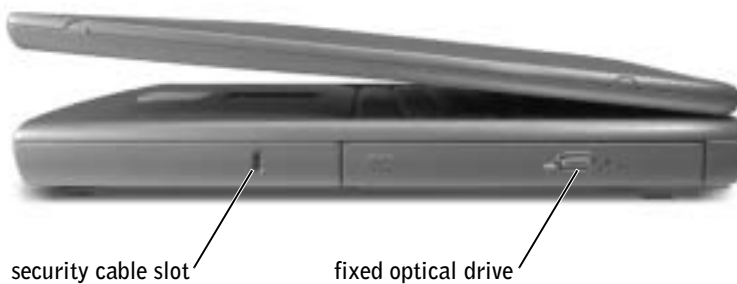
 **CAUTION:** Do not block, push objects into, or allow dust to accumulate in the air vents. Doing so can damage the computer or cause a fire.



## Left Side View



## Right Side View



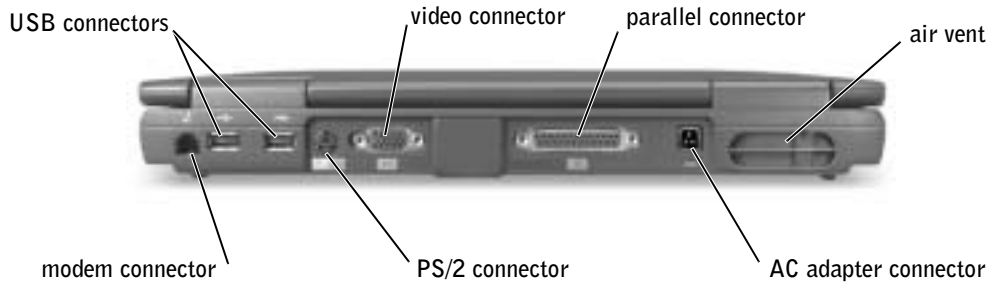
## Back View



**NOTICE:** To avoid damaging the computer, wait 5 seconds after turning off the computer before you disconnect an external device.



**CAUTION:** Do not block, push objects into, or allow dust to accumulate in the air vents. Doing so can damage the computer or cause a fire.

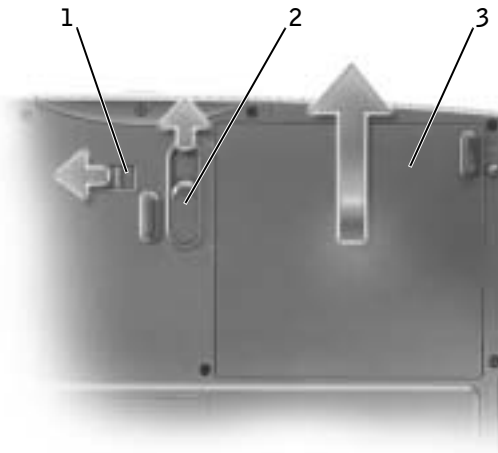


### Removing a Battery

**NOTICE:** If you choose to replace the battery with the computer in standby mode, you have up to 4 minutes to complete the battery replacement before the computer shuts down and loses any unsaved data.

Before removing the battery, ensure that the computer is turned off or disconnected from an electrical outlet.

- 1 Unlock the battery.
- 2 Slide and hold the battery release latch.
- 3 Remove the battery.



## Installing a Battery

- 1 Ensure that the battery lock is in the unlocked position.
- 2 Slide the battery into the bay until the latch release clicks.
- 3 Lock the battery.

## Regulatory Notices

Electromagnetic Interference (EMI) is any signal or emission, radiated in free space or conducted along power or signal leads, that endangers the functioning of a radio navigation or other safety service or seriously degrades, obstructs, or repeatedly interrupts a licensed radio communications service. Radio communications services include but are not limited to AM/FM commercial broadcast, television, cellular services, radar, air-traffic control, pager, and Personal Communication Services (PCS). These licensed services, along with unintentional radiators such as digital devices, including computers, contribute to the electromagnetic environment.

Electromagnetic Compatibility (EMC) is the ability of items of electronic equipment to function properly together in the electronic environment. While this computer has been designed and determined to be compliant with regulatory agency limits for EMI, there is no guarantee that interference will not occur in a particular installation. If this equipment does cause interference with radio communications services, which can be determined by turning the equipment off and on, you are encouraged to try to correct the interference by one or more of the following measures:

- Reorient the receiving antenna.
- Relocate the computer with respect to the receiver.
- Move the computer away from the receiver.
- Plug the computer into a different outlet so that the computer and the receiver are on different branch circuits.

If necessary, consult a Dell Technical Support representative or an experienced radio/television technician for additional suggestions.

Dell computers are designed, tested, and classified for their intended electromagnetic environment. These electromagnetic environment classifications generally refer to the following harmonized definitions:

- Class A is typically for business or industrial environments.
- Class B is typically for residential environments.

Information Technology Equipment (ITE), including devices, expansion cards, printers, I/O devices, monitors, and so on, that are integrated into or connected to the computer should match the electromagnetic environment classification of the computer.

**A Notice About Shielded Signal Cables:** Use only shielded cables for connecting devices to any Dell device to reduce the possibility of interference with radio communications services. Using shielded cables ensures that you maintain the appropriate EMC classification for the intended environment. For parallel printers, a cable is available from Dell. If you prefer, you can order a cable from Dell on the World Wide Web at [accessories.us.dell.com/sna/segmenter/asp](http://accessories.us.dell.com/sna/segmenter/asp).

Most Dell computers are classified for Class B environments. However, the inclusion of certain options can change the rating of some configurations to Class A. To determine the electromagnetic classification for your computer or device, refer to the following sections specific for each regulatory agency. Each section provides country-specific EMC/EMI or product safety information.

### **CE Notice (European Union)**

Marking by the symbol **CE** indicates compliance of this Dell computer to the EMC Directive and the Low Voltage Directive of the European Union. Such marking is indicative that this Dell system meets the following technical standards:

- EN 55022 — “Information Technology Equipment — Radio Disturbance Characteristics — Limits and Methods of Measurement.”
- EN 55024 — “Information technology equipment - Immunity characteristics - Limits and methods of measurement.”

- EN 61000-3-2 — “Electromagnetic compatibility (EMC) - Part 3: Limits - Section 2: Limits for harmonic current emissions (Equipment input current up to and including 16 A per phase).”
- EN 61000-3-3 — “Electromagnetic compatibility (EMC) - Part 3: Limits - Section 3: Limitation of voltage fluctuations and flicker in low-voltage supply systems for equipment with rated current up to and including 16 A.”
- EN 60950 — “Safety of Information Technology Equipment.”

**NOTE:** EN 55022 emissions requirements provide for two classifications:

- Class A is for typical commercial areas.
- Class B is for typical domestic areas.

**RF INTERFERENCE WARNING:** This is a Class A product. In a domestic environment this product may cause radio frequency (RF) interference, in which case the user may be required to take adequate measures.

A "Declaration of Conformity" in accordance with the preceding directives and standards has been made and is on file at Dell Computer Corporation Products Europe BV, Limerick, Ireland.

### **EN 55022 Compliance (Czech Republic Only)**

This device belongs to Class B devices as described in EN 55022, unless it is specifically stated that it is a Class A device on the specification label. The following applies to devices in Class A of EN 55022 (radius of protection up to 30 meters). The user of the device is obliged to take all steps necessary to remove sources of interference to telecommunication or other devices.

Pokud není na typovém štítku počítače uvedeno, že spadá do třídy A podle EN 55022, spadá automaticky do třídy B podle EN 55022. Pro zařízení zařazená do třídy A (ochranné pásmo 30m) podle EN 55022 platí následující. Dojde-li k rušení telekomunikačních nebo jiných zařízení, je uživatel povinen provést taková opatření, aby rušení odstranil.

## Polish Center for Testing and Certification Notice

The equipment should draw power from a socket with an attached protection circuit (a three-prong socket). All equipment that works together (computer, monitor, printer, and so on) should have the same power supply source.

The phasing conductor of the room's electrical installation should have a reserve short-circuit protection device in the form of a fuse with a nominal value no larger than 16 amperes (A).

To completely switch off the equipment, the power supply cable must be removed from the power supply socket, which should be located near the equipment and easily accessible.

A protection mark "B" confirms that the equipment is in compliance with the protection usage requirements of standards PN-93/T-42107 and PN-EN 55022.

### Wymagania Polskiego Centrum Badań i Certyfikacji

Urządzenie powinno być zasilane z gniazda z przyłączonym obwodem ochronnym (gniazdo z kołkiem). Współpracujące ze sobą urządzenia (komputer, monitor, drukarka) powinny być zasilane z tego samego źródła.

Instalacja elektryczna pomieszczenia powinna zawierać w przewodzie fazowym rezerwową ochronę przed zwarciami, w postaci bezpiecznika o wartości znamionowej nie większej niż 16A (amperów).

W celu całkowitego wyłączenia urządzenia z sieci zasilania, należy wyjąć wtyczkę kabla zasilającego z gniazdka, które powinno znajdować się w pobliżu urządzenia i być łatwo dostępne. Znak bezpieczeństwa "B" potwierdza zgodność urządzenia z wymaganiami bezpieczeństwa użytkownika zawartymi w PN-93/T-42107 i PN-EN 55022:1996.

Jeżeli na tabliczce znamionowej umieszczono informację, że urządzenie jest klasy A, to oznacza to, że urządzenie w środowisku mieszkalnym może powodować zakłócenia radioelektryczne. W takich przypadkach można żądać od jego użytkownika zastosowania odpowiednich urodków zaradczych.



## Pozostałe instrukcje bezpieczeństwa

- Nie należy używać wtyczek adapterowych lub usuwać kołka obwodu ochronnego z wtyczki. Jeżeli konieczne jest użycie przedłużacza to należy użyć przedłużacza 3-żyłowego z prawidłowo połączonym przewodem ochronnym.
- System komputerowy należy zabezpieczyć przed nagłymi, chwilowymi wzrostami lub spadkami napięcia, używając eliminatora przepięć, urządzenia dopasowującego lub bezzakłócenowego źródła zasilania.
- Należy upewnić się, aby nic nie leżało na kablach systemu komputerowego, oraz aby kable nie były umieszczone w miejscu, gdzie można byłoby na nie nadeptywać lub potykać się o nie.
- Nie należy rozlewać napojów ani innych płynów na system komputerowy.
- Nie należy wpychać żadnych przedmiotów do otworów systemu komputerowego, gdyż może to spowodować pożar lub porażenie prądem, poprzez zwarcie elementów wewnętrznych.
- System komputerowy powinien znajdować się z dala od grzejników i źródeł ciepła. Ponadto, nie należy blokować otworów wentylacyjnych. Należy unikać kładzenia luźnych papierów pod komputer oraz umieszczania komputera w ciasnym miejscu bez możliwości cyrkulacji powietrza wokół niego.

## Battery Disposal

Your computer uses a lithium-ion battery and a nickel-cadmium battery. For instructions about replacing the lithium-ion battery in your computer, refer to the section about replacing the battery in your Dell computer documentation. The nickel-cadmium battery is a long-life battery, and it is very possible that you will never need to replace it. However, should you need to replace it, the procedure must be performed by an authorized service technician.

Do not dispose of the battery along with household waste. Contact your local waste disposal agency for the address of the nearest battery deposit site.



## ENERGY STAR® Compliance

Certain configurations of Dell™ computers comply with the requirements set forth by the Environmental Protection Agency (EPA) for energy-efficient computers. If the front panel of your computer bears the ENERGY STAR® Emblem, your original configuration complies with these requirements and all ENERGY STAR® power management features of the computer are enabled.

**NOTE:** Any Dell computer bearing the ENERGY STAR® Emblem is certified to comply with EPA ENERGY STAR® requirements as configured when shipped by Dell. Any changes you make to this configuration (such as installing additional expansion cards or drives) may increase the computer's power consumption beyond the limits set by the EPA's ENERGY STAR® Computers program.

## ENERGY STAR® Emblem



The EPA's ENERGY STAR® Computers program is a joint effort between the EPA and computer manufacturers to reduce air pollution by promoting energy-efficient computer products. The EPA estimates that use of ENERGY STAR® computer products can save computer users up to two billion dollars annually in electricity costs. In turn, this reduction in electricity usage can reduce emissions of carbon dioxide, the gas primarily responsible for the greenhouse effect, and sulfur dioxide and nitrogen oxides, the primary causes of acid rain.

You can also help reduce electricity usage and its side effects by turning off your computer when it is not in use for extended periods of time, particularly at night and on weekends.

Dell™ Inspiron™ 2600 a 2650

# Příručka k zařízení

# Tipy, upozornění a výstrahy



**TIP:** TIP označuje důležité informace usnadňující lepší využití počítače.



**UPOZORNĚNÍ:** UPOZORNĚNÍ ukazuje na možnost poškození hardwaru nebo ztráty dat a sděluje vám, jak se problému vyhnout.



**POZOR:** Odstavec uvozený slovem **POZOR** označuje možnost poškození majetku, zranění či smrtelného úrazu.

## Zkratky a značky

Podrobný seznam zkratk a značek naleznete v souboru nápovědy *Pracovní postupy*. (V operačním systému Microsoft® Windows® XP klepněte na tlačítko **Start** na pracovní ploše, klepněte na položku **Help and Support (Nápověda a podpora)**, **User and system guides (Uživatelské a systémové příručky)**, **User's guides (Uživatelské příručky)** a poté klepněte na možnost **Tell Me How (Pracovní postupy)**. V systému Windows 2000 klepněte na tlačítko **Start** ukažte na položku **Programs (Programy)**, ukažte na položku **User's Guides (Uživatelské příručky)** a poté klepněte na možnost **Tell Me How (Pracovní postupy)**).

---

Informace v tomto dokumentu se mohou měnit bez předchozího upozornění.

© 2001-2002 Dell Computer Corporation. Všechna práva vyhrazena.

Jakákoli reprodukce bez písemného svolení společnosti Dell Computer Corporation je přísně zakázána.

Ochranné známky použité v textu: *Dell*, logo *DELL*, *AccessDirect*, *TrueMobile* a *Inspiron* jsou ochranné známky společnosti Dell Computer Corporation; *Microsoft* a *Windows* jsou ochranné známky společnosti Microsoft Corporation; *ENERGY STAR* je registrovaná ochranná známka amerického úřadu Environmental Protection Agency. Společnost Dell Computer Corporation jako partner ENERGY STAR potvrzuje, že tento produkt splňuje podmínky ENERGY STAR pro energetickou efektivitu.

Jiné ochranné známky a obchodní názvy případně použité v tomto dokumentu mohou odkazovat na subjekty držící práva k těmto známkám a názvy jejich výrobků. Společnost Dell Computer Corporation odmítá vlastnické zájmy k ochranným známkám a obchodním názvům mimo své vlastní.

# Obsah

<b>Bezpečnostní pokyny a pokyny pro práci</b> . . . . .	<b>29</b>
Pozor: Bezpečnostní pokyny . . . . .	29
Při práci s počítačem . . . . .	33
Ergonomické zásady při práci s počítačem . . . . .	35
Vyjímání a instalace paměťových modulů . . . . .	36
Ochrana proti elektrostatickým výbojům . . . . .	37
<b>Začínáme</b> . . . . .	<b>38</b>
Připojení napájecího adaptéru . . . . .	38
Zapnutí počítače . . . . .	39
Součásti počítače . . . . .	40
Vyjímání baterií . . . . .	42
Instalace baterií . . . . .	43
<b>Právní předpisy</b> . . . . .	<b>43</b>
Upozornění CE (Evropská unie) . . . . .	44
Shoda s normou EN 55022 (Pouze pro Českou republiku) . . . . .	45
Likvidace baterií . . . . .	46
ENERGY STAR® . . . . .	46
Emblém ENERGY STAR® . . . . .	46



# Bezpečnostní pokyny a pokyny pro práci



## Pozor: Bezpečnostní pokyny

*Další symboly používané pouze v „Bezpečnostních pokynech a v pokynech pro práci“ mají následující význam.*



Riziko výbuchu



Letadla



Riziko požáru



Používání této funkce může být v letadlech zakázáno



Riziko úrazu elektrickým proudem



## Pozor: Obecné (Bezpečnostní pokyny, pokračování)

- Nejste-li oprávněným servisním technikem, nepokoušejte se počítač opravovat vlastními silami. Vždy postupujte důsledně podle pokynů pro instalaci.
- Pokud je před napájecím adaptérem prodlužovací kabel, zkontrolujte, zda celkový proud odebíraný zařízeními připojenými k prodlužovacímu kabelu nepřekračuje povolenou hodnotu.
- Dejte pozor, aby se do větracích ani jiných otvorů počítače nedostaly žádné předměty. Mohlo by dojít ke zkratu vnitřních součástí a následnému požáru nebo úrazu elektrickým proudem.





- Při napájení počítače nebo nabíjení baterie umístěte napájecí adaptér na větrané místo, například na stůl nebo na podlahu. Nezakrývejte ho papíry ani jinými předměty znemožňujícími chlazení. Adaptér nepoužívejte v obalu.
- Adaptér se při běžném provozu počítače může značně zahřát. Při manipulaci s adaptérem za provozu nebo bezprostředně po jeho ukončení postupujte opatrně.
- Při práci nepokládejte přenosný počítač na dlouhou dobu přímo na nechráněnou kůži. Teplota povrchu základny při běžném provozu roste (zvláště při napájení ze sítě). Trvalý kontakt s kůží může způsobit nepříjemné pocity a případně i spáleniny.



- Počítač nepoužívejte ve vlhkém prostředí, například v blízkosti vany, dřezu či bazénu, ani ve vlhkém suterénu.



- Pokud váš počítač obsahuje integrovaný nebo přídavný modem (PC Card), před bouřkou odpojte kabel modemu, aby nedošlo k úrazu elektrickým proudem po přenesení blesku telefonním vedením.



- Pro zamezení riziku úrazu elektrickým proudem nepřipojujte ani neodpojujte kabely a zařízení neopravujte ani nekonfigurujte během bouřky. Počítač nepoužívejte za bouřky jinak než po odpojení všech kabelů a při napájení z baterií.
- Pokud váš počítač obsahuje modem, musí mít kabel modemu minimální průřez vodičů 26 AWG (0,13 mm<sup>2</sup>) a modulární zástrčku RJ-11 splňující normy FCC.
- Karty PC Card mohou být za provozu velmi teplé. Při vyjímání karet PC Card po dlouhém používání postupujte opatrně.
- Před čištěním počítače odpojte napájení. Počítač čistěte měkkým hadříkem navlhčeným vodou. Nepoužívejte tekuté čisticí prostředky ani spreje. Ty mohou obsahovat hořlavé látky.





## **Pozor: Napájení (Bezpečnostní pokyny, pokračování)**



- Používejte pouze adaptér dodávaný společností Dell, schválený pro použití s tímto počítačem. Použití jiného adaptéru může způsobit požár nebo výbuch.
- Před připojením počítače do zásuvky zkontrolujte, zda napětí a frekvence zdroje souhlasí s hodnotami uvedenými na adaptéru.
- Chcete-li vypnout napájení počítače, vypněte ho, odpojte baterie a odpojte napájecí adaptér ze zásuvky.



- Napájecí kabely adaptéru a periferních zařízení zapojujte do řádně uzemněného zdroje napájení, abyste předešli úrazu elektrickým proudem. Tyto napájecí kabely mohou mít třívodičové zástrčky zajišťující uzemnění. Nepoužívejte adaptéry zástrček ani neodstraňujte zemnicí kolík. Používáte-li prodlužovací kabel, použijte vhodný dvojvodičový nebo třívodičový typ odpovídající napájecímu kabelu adaptéru.
- Zkontrolujte, zda na kabelu napájecího adaptéru nic neleží a zda kabel není umístěn tak, že by o něj mohl někdo zakopnout nebo na něj stoupnout.



- Používáte-li prodlužovací kabel s více zásuvkami, zapojte napájecí kabel adaptéru opatrně. Některé zásuvky prodlužovacích kabelů umožňují nesprávné zapojení zástrčky. Nesprávné zapojení zástrčky napájení může způsobit trvalé poškození počítače, úraz elektrickým proudem či požár. Zkontrolujte, zda se zemnicí kolík zástrčky zasouvá do odpovídajícího zemnicího kontaktu prodlužovacího kabelu.



## Pozor: Baterie (Bezpečnostní pokyny, pokračování)



- Používejte pouze baterie Dell schválené pro použití s tímto počítačem. Používání jiných typů může zvýšit riziko požáru či výbuchu.



- Baterie nepřenášejte v kapse, kabelce ani na jiném místě, kde by kovové předměty (například klíče nebo sponky) mohly zkratovat svorky baterie. Vznikající velký proud může vyvolat extrémně vysoké teploty a způsobit poškození baterie, požár či popáleniny.

- Při nesprávném zacházení s baterií hrozí popálení. Baterii nerozebírejte. S poškozenou nebo prosakující baterií zacházejte zvláště opatrně. Je-li baterie poškozena, může z článků unikat elektrolyt, který způsobuje zranění.

- Baterii udržujte mimo dosah dětí.



- Počítač ani baterii neskladujte ani neponechávejte v blízkosti zdrojů tepla jako jsou radiátory, krby, kamna, elektrické přímotopy nebo jiná zařízení, ani ji jinak nevystavujte teplotám vyšším než 60 °C. Přehřáté baterie mohou vybuchnout nebo z nich může unikat horký plyn či kapalina. Hrozí tak nebezpečí požáru.



- Baterie z počítače nevyhazujte do ohně ani s běžným domovním odpadem. Mohly by vybuchnout. Použité baterie zlikvidujte podle pokynů výrobce nebo požádejte o pokyny místní úřad pro nakládání s odpady. Vybité či poškozené baterie zlikvidujte bez zbytečného odkladu.



## **Pozor: Letecká doprava (Bezpečnostní pokyny, pokračování)**



- Provoz počítačů Dell™ na palubách letadel mohou usměrňovat některé předpisy letecké organizace FAA a omezení přepravců. Takové předpisy mohou na palubě letadel například zakazovat používání osobních elektronických zařízení, která jsou schopna řízeně přenášet radiové frekvence nebo jiné elektromagnetické signály.



- Těmto omezením nejlépe vyhovíte, když před nástupem do letadla vypnete na přenosném počítači Dell zařízení jako je Dell TrueMobile™ nebo jiné zařízení pro bezdrátovou komunikaci (pokud je jím počítač vybaven), a dále se budete řídit pokyny letového personálu týkajícími se takových zařízení.



- Používání osobních elektronických zařízení, například přenosných počítačů, může být na palubě zakázáno během kritických fází letu, tedy při startu a přistání. Některé letecké společnosti mohou kritickou fází letu definovat jako veškerou dobu, kdy se letadlo nachází pod letovou hladinou 3 050 m (10 000 stop). Dodržujte pokyny leteckých společností týkající se používání osobních elektronických zařízení.

## **Při práci s počítačem**

Dodržováním následujících bezpečnostních pokynů chráňte počítač před poškozením:

- Počítač před zahájením práce umístěte na rovný povrch.
- Při cestách neodbavujte počítač jako zavazadlo. Počítač můžete poslat rentgenovým bezpečnostním zařízením, ale nikdy ho neprocházejte detektorem kovů. Pokud počítač odbavujete jako příruční zavazadlo, mějte připraveny nabitě baterie, abyste ho mohli na požádání zapnout.
- Pokud máte při cestování vyjmutý pevný disk, zabalte ho do nevodivého materiálu, například do látky nebo papíru. Pokud disk odbavujete jako příruční zavazadlo, připravte se na možnost, že ho budete muset nainstalovat do počítače. Pevný disk můžete poslat rentgenovým bezpečnostním zařízením, ale nikdy ho neprocházejte detektorem kovů.


- Při cestách neodkládejte počítač do úložných prostorů nad hlavou, kde by mohl klouzat. Počítač nepouštějte na zem ani nevystavujte mechanickým otřesům.
- Chraňte počítač, baterie a pevný disk před nepříznivými vlivy prostředí, jako jsou nečistoty, prach, potraviny, kapaliny, teplotní extrémny a dlouhodobé vystavení slunečnímu záření.
- Při přemísťování počítače mezi prostředími s velkými rozdíly teplot či vlhkosti může na počítači nebo v počítači vzniknout kondenzační vlhkost. Ta může počítač poškodit. Před uvedením počítače do provozu vyčkejte, než se vzniklá vlhkost vypaří.




**UPOZORNĚNÍ:** Pokud počítač přemísťujete z chladného prostředí do teplejšího nebo z velmi teplého prostředí do chladnějšího, vyčkejte před zapnutím, než se počítač aklimatizuje na teplotu místnosti.

- Při odpojování vytahujte kabely za konektor nebo za příslušné očko, nikdy netahejte za kabel. Konektory vytahujte rovně, abyste neohnuli vývody. Před připojováním kabelu zkontrolujte, zda jsou oba konektory správně orientovány a nasazeny.
- Se součástmi zacházejte opatrně. Součástky, například paměťové moduly, držte za hrany, nikoli za vývody.
- Při vyjímání paměťového modulu ze základní desky nebo při odpojování periferního zařízení vypněte počítač, odpojte kabel napájecího adaptéru a vyčkejte nejméně 5 sekund. Zabráníte tak možnému poškození základní desky.
- Displej čistěte měkkým čistým hadříkem a běžným čisticím prostředkem na okna neobsahujícím vosk ani brusné látky. Čisticí prostředek naneste na hadřík a stírejte jím displej shora dolů. Je-li na displeji tuk nebo jiná znečisťující látka, použijte místo čisticího prostředku na okna izopropylalkohol.
- Při namočení nebo poškození počítače postupujte podle pokynů uvedených v části „Řešení problémů“ *příručky majitele*. Pokud provedete tyto postupy a zjistíte, že počítač nefunguje správně, obraťte se na společnost Dell (příslušné kontaktní informace naleznete v oddílu „Spojení se společností Dell“ v *příručce majitele*).

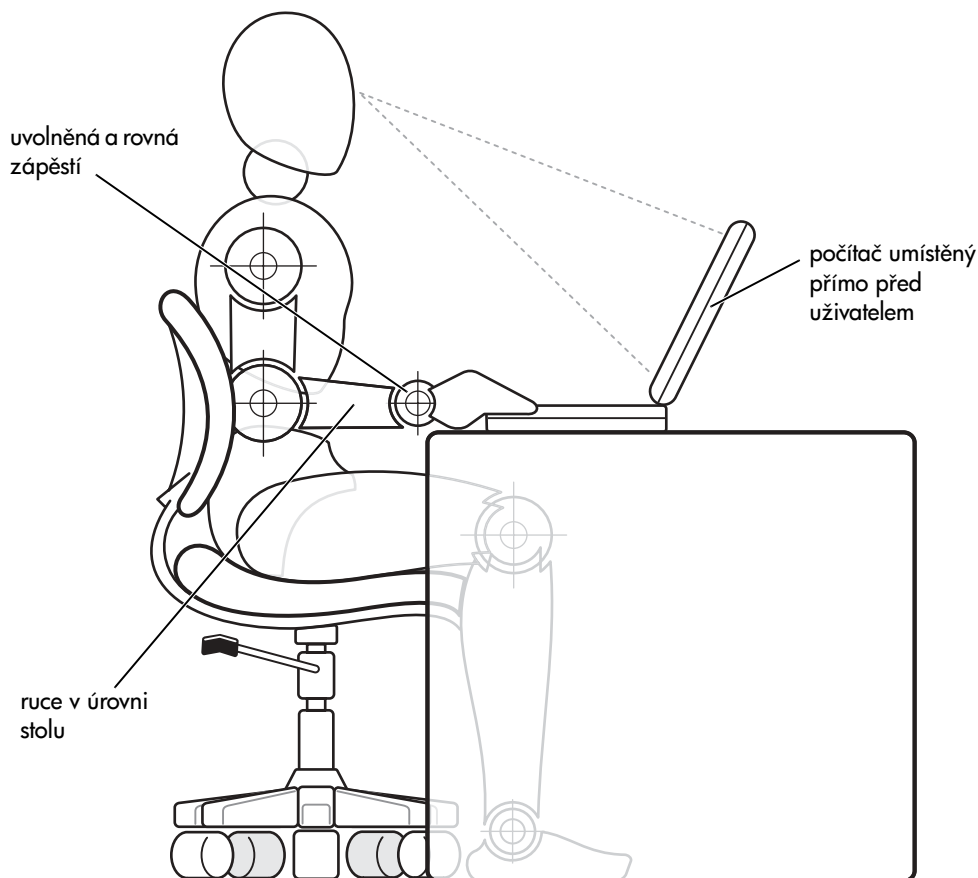
## Ergonomické zásady při práci s počítačem

 **POZOR: Nesprávné nebo dlouhodobé používání klávesnice může vést k újmě na zdraví.**

 **POZOR: Dlouhodobé sledování obrazovky nebo externího monitoru může namáhat zrak.**

Pro své pohodlí a zachování produktivity práce dodržujte při nastavování počítače a práci s ním následující ergonomické pokyny:

- Při práci umístěte počítač přímo před sebe.
- Nastavte sklon, kontrast a jas obrazovky a okolní osvětlení (stropní světla, stolní lampy a závěsy či žaluzie v okolních oknech) tak, abyste minimalizovali odrazy a lesk obrazovky.
- Pokud pracujete s externím monitorem, umístěte ho do vhodné vzdálenosti (obvykle 510 až 610 mm od očí). Když sedíte před monitorem, zajistěte, aby obrazovka monitoru byla v úrovni vašich očí nebo o něco níže.
- Používejte židli s dobrou podporou bederní páteře.
- Při práci s klávesnicí, dotykovou podložkou, tyčinkou nebo externí myší držte předloktí vodorovně a zápěstí v pohodlné neutrální poloze.
- Při práci s klávesnicí, dotykovou podložkou nebo tyčinkou vždy používejte podporu zápěstí. Při práci s externí myší si ponechte prostor pro opření rukou.
- Paže ponechte volně svěšené podél těla.
- Seděte vzpřímeně s nohama opřenými o zem a stehny vodorovnými.
- Vsedě zajistěte, aby hmotnost vašich nohou spočívala na chodidlech a ne na přední straně sedadla židle. V případě potřeby nastavte správnou výšku sedadla židle.
- Svoji pracovní činnost měňte. Zkuste si práci zorganizovat tak, abyste nemuseli po delší dobu bez přestání psát. Přestanete-li psát na klávesnici, pokuste se dělat věci, k nimž potřebujete obě ruce.



## Vyjímání a instalace paměťových modulů

Před vyjímáním či instalací paměťových modulů proveďte následující postup:



**UPOZORNĚNÍ:** Při vyjímání paměťového modulu ze základní desky nebo při odpojování periferního zařízení vyčkejte po vypnutí počítače nejméně 5 sekund. Zabráňte tak možnému poškození základní desky.

- 1 Vypněte počítač a všechny připojené periferie.
- 2 Odpojte počítač a periferie ze zásuvek. Zabráňte tak riziku úrazu elektrickým proudem. Od počítače odpojte i všechny telefonní a komunikační linky.

- 3 Ze zásuvky pro baterii vyjměte hlavní baterii. Je-li použita, vyjměte také sekundární baterii z modulární jednotky.
- 4 Uzemněte se dotykem nenatřené kovové povrchu V/V panelu v zadní části počítače.

Během práce se pravidelně dotýkejte V/V panelu, abyste vybili statickou elektřinu, která by mohla poškodit vnitřní součásti počítače.

Na tento postup vás v dokumentaci k zařízením Dell upozorňuje následující poznámka:

 **UPOZORNĚNÍ:** Viz část „Ochrana proti elektrostatickým výbojům“ v *příručce k zařízení*.

## Ochrana proti elektrostatickým výbojům

Statická elektřina může ohrozit elektronické součástky uvnitř počítače.

Před dotykem elektronických součástí uvnitř počítače (například paměťového modulu) vybijte statickou elektřinu ze svého těla, aby jejím působením nedošlo k poškození součástek. Statickou elektřinu můžete vybit dotykem nenatřené kovové povrchu V/V panelu počítače.

Během další práce uvnitř počítače se opakovaně dotýkejte zadní strany V/V panelu, abyste dokonale vybili elektrostatický náboj, který mohlo akumulovat vaše tělo.

Poškození elektrostatickým výbojem můžete zabránit také následujícím postupem:

- Při vybalování nevyjímejte citlivé součásti z antistatického obalu, dokud nejste připraveni na instalaci. Než otevřete antistatický obal, vybijte elektrostatický náboj ze svého těla.
- Při přepravě nejprve citlivé součásti uložte do antistatické nádoby nebo obalu.
- Se všemi citlivými součástmi pracujte na pracovišti chráněném před statickou elektřinou. V případě potřeby používejte antistatické podložky na podlahu a pracovní plochu.

## Začínáme

Instalace počítače:

- 1 Rozbalte krabici s příslušenstvím.
- 2 Obsah krabice s příslušenstvím budete používat při instalaci počítače.

V krabici s příslušenstvím je i dokumentace a objednaný software či doplňkový hardware (například karty PC Card, jednotky a baterie).

### Připojení napájecího adaptéru






## Zapnutí počítače

Počítač zapnete otevřením displeje a stisknutím tlačítka napájení.

vypínač



 **TIP:** Dokud počítač alespoň jednou nezapnete a nevypnete, nepřipojujte k němu žádná zařízení USB, jako je například tiskárna nebo replikátor portů.

## Součásti počítače

### Pohled zepředu

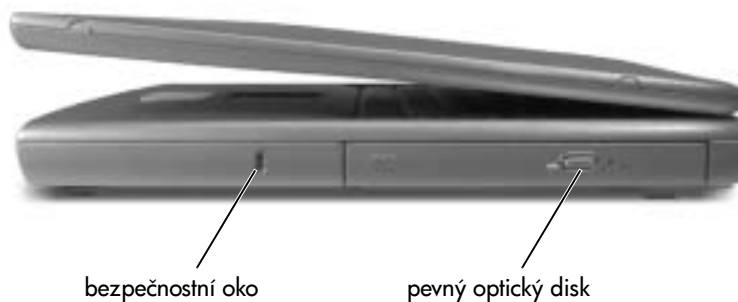
**⚠ POZOR: Větrací otvory počítače nezakrývejte, dejte pozor, aby se do nich nedostaly žádné předměty, a zabraňte shromažďování prachu v nich. Pokud se těmito pokyny nebudete řídit, hrozí poškození počítače nebo požár.**



## Pohled zleva



## Pohled zprava



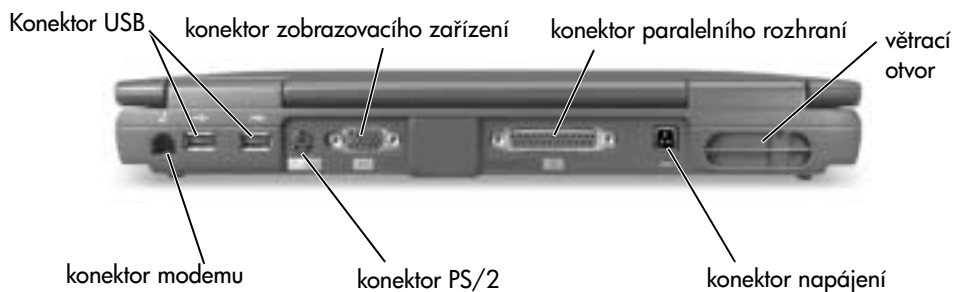
## Pohled zezadu



**UPOZORNĚNÍ:** Při odpojování periferního zařízení vyčkejte po vypnutí počítače nejméně 5 sekund. Zabráníte tak možnému poškození počítače.



**POZOR:** Větrací otvory počítače nezakrývejte, dejte pozor, aby se do nich nedostaly žádné předměty, a zabraňte shromažďování prachu v nich. Pokud se těmito pokyny nebudete řídit, hrozí poškození počítače nebo požár.

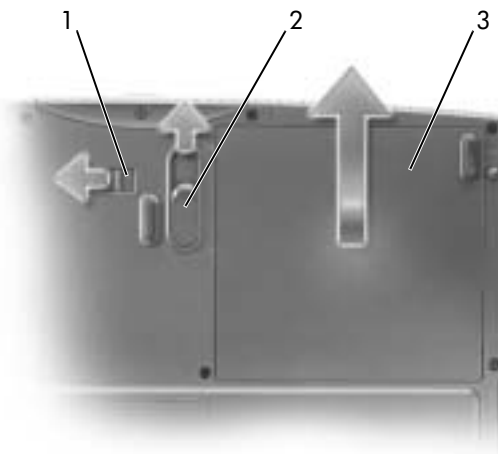


## Vyjímání baterií

**UPOZORNĚNÍ:** Chcete-li vyměňovat baterie v počítači v pohotovostním režimu, máte na výměnu baterie nejvýše 4 minuty. Po této době se počítač vypne a ztratíte veškerá neuložená data.

Před vyjmutím baterií se přesvědčte, že je počítač vypnut nebo odpojen od elektrické zásuvky.

- 1 Odemkněte baterii.
- 2 Odsuňte a podržte uvolňovací západku baterie.
- 3 Vyjměte baterii.



## Instalace baterií

- 1 Zámek baterie nastavte do polohy odemknuto.
- 2 Novou baterii zatlačte do zásuvky, až uslyšíte zacvaknutí.
- 3 Uzamkněte baterii.

## Právní předpisy

Elektromagnetické rušení (EMI) jsou jakékoli signály nebo záření vyzařované do volného prostoru nebo vedené podél napájecích či signálových vodičů, které ohrožují funkci rádiové navigace nebo jiných bezpečnostních služeb nebo vážně snižují, zhoršují, nebo opakovaně přerušují licencované radiokomunikační služby. Radiokomunikační služby zahrnují například komerční rozhlasové vysílání AM/FM, televizi, služby mobilních telefonů, radary, řízení letového provozu, služby operátorů a osobní komunikační služby. Tyto licencované služby spolu s dalšími neúmyslnými zářiči (včetně počítačů) přispívají k elektromagnetickému prostředí.

Elektromagnetická kompatibilita (EMC) je schopnost součástí elektronických zařízení pracovat správně v daném elektronickém prostředí. Tento počítač byl konstruován a je určen k provozu v souladu s předpisy o limitních hodnotách EMI podle platných zákonných ustanovení, neexistují však žádné záruky, že se u jednotlivých instalací neobjeví rušení. Pokud zařízení způsobuje interference s radiokomunikačními službami (což lze zjistit zapnutím a vypnutím zařízení), můžete se pokusit zjednat nápravu pomocí některého z následujících opatření:

- Změňte orientaci přijímací antény.
- Přemístěte počítač vzhledem k přijímači.
- Přemístěte počítač od přijímače.
- Zapojte počítač do jiné zásuvky, aby počítač a přijímač byly připojeny k různým okruhům.

V případě potřeby se poradíte s pracovníky technické podpory společnosti Dell nebo se zkušeným televizním či rozhlasovým technikem.

Počítače Dell jsou konstruovány, testovány a klasifikovány pro elektromagnetické prostředí, pro něž jsou určeny. Tato klasifikace elektromagnetického prostředí odpovídá následujícím definicím:

- Třída A je typická pro komerční nebo průmyslové prostředí.
- Třída B je typická pro domácí prostředí.

Zařízení informačních technologií (ITE) včetně zařízení, rozšiřujících karet, tiskáren, V/V zařízení, monitorů atd., která jsou integrována nebo připojena k počítači, musí odpovídat klasifikaci elektromagnetického prostředí daného počítačového systému.

**Poznámka ke stíněným signálovým kabelům: Ke snížení pravděpodobnosti interference s radiokomunikačními systémy používejte k připojení zařízení k jakémukoli zařízení Dell výhradně stíněné kabely. Použitím stíněných kabelů zajistíte zachování klasifikace EMC určené pro dané prostředí. Kabel pro paralelní tiskárny můžete získat od společnosti Dell. Kabel si můžete objednat u společnosti Dell na webové adrese [accessories.us.dell.com/sna/segmenter/asp](https://accessories.us.dell.com/sna/segmenter/asp).**

Většina počítačů Dell je klasifikována pro prostředí třídy B. Používání některých volitelných prvků příslušenství však může změnit zařazení některých konfigurací na třídu A. Elektromagnetickou klasifikaci svého počítače nebo zařízení naleznete v následujících oddílech pro jednotlivé orgány. Každý oddíl obsahuje informace o elektromagnetické kompatibilitě a rušení nebo bezpečnostní informace pro příslušnou zemi.

## Upozornění CE (Evropská unie)

Symbol **CE** označuje shodu tohoto systému společnosti Dell se směrnicí EMC a směrnicí k nízkonapětovým zařízením Evropské unie. Toto označení znamená, že toto zařízení Dell vyhovuje následujícím technickým normám:

- EN 55022 — „Information Technology Equipment - Radio Disturbance Characteristics - Limits and Methods of Measurement.“ (Zařízení informačních technologií - charakteristiky rušení radiových signálů - limity a metody měření).
- EN 55024 — „Information technology equipment - Immunity characteristics - Limits and methods of measurement“ (Zařízení informačních technologií - charakteristiky odolnosti - limity a metody měření).

- EN 61000-3-2 — „Electromagnetic compatibility (EMC) - Part 3: Limits - Section 2: Limits for harmonic current emissions (Equipment input current up to and including 16 A per phase)“ (Elektromagnetická kompatibilita - část 3: Limity - oddíl 2: Limity emisí harmonických proudů pro zařízení se vstupním proudem do 16 A na fázi).
- EN 61000-3-3 — „Electromagnetic compatibility (EMC) - Part 3: Limits - Section 3: Limitation of voltage fluctuations and flicker in low-voltage supply systems for equipment with rated current up to and including 16 A“ (Elektromagnetická kompatibilita - část 3: Limity - oddíl 3: Limity kolísání a kmitání napětí v nízkonapětíových zdrojích se jmenovitým proudem do 16 A).
- EN 60950 — „Safety of Information Technology Equipment“ (Bezpečnost zařízení informačních technologií).

**POZNÁMKA:** Požadavky na vyzařování normy EN 55022 uvádějí dvě klasifikace:

- Třída A pro typické komerční oblasti.
- Třída B pro typické obytné oblasti.

**UPOZORNĚNÍ NA RUŠENÍ RADIOVÝCH VLN: Toto je zařízení třídy A. V obytném prostředí může způsobovat rušení radiových vln (RF). V takovém případě může být nutné, aby uživatel provedl odpovídající opatření.**

Podle požadavků předchozích direktiv a norem bylo připraveno „Prohlášení o shodě“, které je uloženo v pobočce Dell Computer Corporation Products Europe BV, Limerick, Irsko.

### **Shoda s normou EN 55022 (Pouze pro Českou republiku)**

Pokud není na typovém štítku počítače uvedeno, že spadá do třídy A podle EN 55022, spadá automaticky do třídy B podle EN 55022. Pro zařízení zařazená do třídy A (ochranné pásmo 30 m) podle EN 55022 platí následující podmínky: Dojde-li k rušení telekomunikačních nebo jiných zařízení, je uživatel povinen provést taková opatření, aby rušení odstranil.



## Likvidace baterií

Váš počítač používá lithium iontovou a niklokadmiovou baterii. Pokyny k výměně lithium iontové baterie v počítači naleznete v dokumentaci k počítači Dell v části věnované výměnám baterií. Niklokadmiová baterie má velmi dlouhou životnost a je velmi pravděpodobné, že ji nikdy nebudete muset vyměňovat. Pokud by však přesto bylo třeba ji vyměnit, musí tak učinit oprávněný servisní technik.

Baterie nelikvidujte jako domovní odpad. Informace o nejbližší sběrně starých baterií vám poskytne nejbližší podnik zabývající se likvidací odpadů.

## ENERGY STAR®

Některé konfigurace počítačů Dell™ odpovídají požadavkům agentury EPA (Environmental Protection Agency, agentura pro ochranu životního prostředí) na energeticky efektivní počítače. Pokud je na čelním panelu počítače emblém ENERGY STAR®, odpovídá původní konfigurace těmto požadavkům a v počítači jsou zapnuty všechny funkce pro úspory energie ENERGY STAR®.

**POZNÁMKA:** Všechny počítače Dell s emblémem ENERGY STAR® jsou při odesílání ze společnosti Dell certifikovány jako splňující požadavky EPA ENERGY STAR®. Jakékoli změny konfigurace (například instalace dalších rozšiřujících adaptérů nebo jednotek) mohou zvýšit spotřebu počítače nad limity stanovené programem pro počítačová zařízení EPA ENERGY STAR®.

## Emblém ENERGY STAR®



Program pro počítačová zařízení EPA ENERGY STAR® je společný program agentury EPA a výrobců počítačů směřující ke snížení znečištění vzduchu podporou energeticky efektivních počítačových výrobků. Agentura EPA odhaduje, že používání počítačových výrobků ENERGY STAR® může uživatelům ušetřit ročně až dvě miliardy dolarů nákladů na elektřinu. Toto snížení spotřeby elektrické energie poté vede ke snížení emisí oxidu uhličitého, který je hlavním původcem skleníkového efektu, a oxidu siřičitého, který je hlavním původcem kyselých dešťů.

Spotřebu energie a s ní související jevy můžete snížit i tím, že budete počítač vypínat, kdykoli ho nebudete delší dobu používat, především v noci a o víkendech.



Dell™ Inspiron™ 2600 és 2650

# Rendszerinformációs kézikönyv

# Tippek, figyelmeztetések és óvintézkedések



**TIPP:** A TIPPEK a számítógép biztonságosabb és hatékonyabb használatát elősegítő fontos tudnivalókat tartalmaznak.



**FIGYELMEZTETÉS:** A FIGYELMEZTETÉSEK a hardvereszközökre veszélyes, illetve esetleg adatvesztést okozó problémákra hívják fel a figyelmet, és tájékoztatnak a problémák elkerülésének módjáról.



**ÓVINTÉZKEDÉS:** Az ÓVINTÉZKEDÉSEK esetleges tárgyi és személyi sérülésekre, illetve életveszélyre hívják fel a figyelmet.

## Rövidítések és betűszók

A rövidítések és betűszók teljes listája a *Hogyan tegyem?* súgófájlban található.

(Microsoft® Windows® XP operációs rendszer esetén kattintson az asztalon a **Start** gombra, majd a **Súgó és támogatás** menüben kattintson a **User and system guides** (Felhasználói és rendszerinformációs kézikönyvek) pontra. Itt válassza a **user's guides** (felhasználói kézikönyvek) elemet, és kattintson a **Tell Me How** (Hogyan lehet?) pontra. Windows 2000 esetén kattintson a **Start** gombra, majd a **Programok** menüben válassza a **User's Guides** (Felhasználói kézikönyvek) elemet, és kattintson a **Tell Me How** (Hogyan tegyem?) pontra.)

---

A jelen dokumentum tartalma előzetes figyelmeztetés nélkül megváltozhat.

© 2002 Dell Computer Corporation. Minden jog fenntartva.

A Dell Computer Corporation előzetes írásos engedélye nélkül szigorúan tilos a dokumentumot bármiféle módon sokszorosítani.

A szövegben használt védjegyek: A *Dell*, a *DELL* embléma, az *AccessDirect*, a *TrueMobile* és az *Inspiron* a Dell Computer Corporation védjegyei. A *Microsoft* és a *Windows* a Microsoft Corporation bejegyzett védjegyei. Az *ENERGY STAR* az Amerikai Környezetvédelmi Ügynökség (U.S. Environmental Protection Agency) bejegyzett védjegye. Az ENERGY STAR Partner minősítésű Dell Computer Corporation megállapította, hogy ez a termék megfelel az ENERGY STAR hatékony energiagazdálkodási irányelveinek.

A dokumentumban egyéb védjegyek és védett nevek is szerepelhetnek, amelyek a védjegyet vagy nevet bejegyeztető cégre, valamint annak termékeire vonatkoznak. A Dell Computer Corporation kizárólag saját védjegyei és bejegyzett nevei iránt vállal felelősséget.

# Tartalom

<b>Biztonsági és használati útmutató</b> . . . . .	<b>51</b>
Óvintézkedés: Biztonsági óvintézkedések . . . . .	51
A számítógép használata során . . . . .	56
Ergonómiai szokások a számítógép előtt . . . . .	58
Memóriamodulok eltávolítása vagy telepítése esetén . . . . .	59
Védelem elektrosztatikus kisülés ellen . . . . .	60
<b>Első lépések</b> . . . . .	<b>61</b>
A váltakozó áramú átalakító csatlakoztatása . . . . .	61
A számítógép bekapcsolása . . . . .	62
A számítógép részei . . . . .	63
Az akkumulátor eltávolítása . . . . .	65
Az akkumulátor behelyezése . . . . .	66
<b>Szabályozó rendelkezések</b> . . . . .	<b>66</b>
CE szabályozás (Európai Unió) . . . . .	68
A használt akkumulátorok elhelyezése . . . . .	69
Az ENERGY STAR® szabványnak való megfelelés . . . . .	70
Az ENERGY STAR® embléma . . . . .	70



# Biztonsági és használati útmutató



## Óvintézkedés: Biztonsági óvintézkedések

Az alábbi tudnivalók azon *kiegészítő* jelölések értelmezését segítik, amelyek *csak* a „Biztonsági és használati útmutatóban” található meg.



Robbanásveszély



Repülőgép



Tűzveszély



Repülőgépen nem használható funkció



Áramütésveszély



## Óvintézkedés: Általános (Biztonsági óvintézkedések, *folytatás*)

- Ne próbálja a számítógépet önállóan javítani, hacsak nem feljogosított szerviztechnikus. Mindig tartsa be a telepítési utasításokat.
- Amennyiben a váltakozó áramú átalakítóhoz hosszabbítót használ, ellenőrizze, hogy a hosszabbítóhoz csatlakozó eszközök összesített névleges áramfelvétele nem haladja-e meg a hosszabbító maximális terhelhetőségi szintjét.
- A számítógép szellőző- és egyéb nyílásait soha ne tömje el, a nyílásokon semmit ne dugjon be, mert ez rövidzárlatot okozhat a számítógép belső alkatrészeiben, és így tűzhez vagy áramütéshez vezethet.





- Amikor a számítógépet a váltakozó áramú átalakítóról működteti, vagy tölti az akkumulátort, helyezze az átalakítót jól szellőző helyre, például az asztal tetejére vagy a földre. Soha ne takarja le az átalakítót papírral vagy a szellőzést gátló bármilyen egyéb tárggyal. Használat közben soha ne tartsa az átalakítót a hordtáskában.
- Az átalakító rendeltetészerű használat közben nagyon felmelegedhet, ezért legyen óvatos, amikor használat után vagy működés közben megfogja.
- Soha ne használja hordozható számítógépét úgy, hogy annak alja hosszabb ideig közvetlenül csupasz bőréhez érjen, mivel a számítógép aljának hőmérséklete szokásos körülmények között is megemelkedik (különösen hálózati tápellátás esetén), és ez egy idő után kellemetlen érzést, vagy akár égési sérülést is okozhat.



- Ne használja a számítógépet nyirkos, nedves környezetben, például fürdőkád, mosdó vagy medence mellett, illetve nyirkos pincében.



- Amennyiben a számítógéphez integrált vagy cserélhető (PC-kártyás) modem is tartozik, vihar közeledtekor húzza ki a modem kábelét, hogy kiküszöbölje a villámlás okozta, telefonvonalon keresztül terjedő áramütés előfordulásának lehetőségét.



- Az áramütés elkerülése végett vihar közben soha ne nyúljon a kábelekhez, és ilyenkor ne végezzen semmiféle karbantartási feladatot, továbbá ne konfigurálja át a terméket. Ne használja a számítógépet vihar idején, kivéve, ha minden csatlakozót kihúzott, és a számítógép akkumulátorról üzemel.
- Amennyiben a számítógéphez modem is tartozik, a modemhez használt kábel ereinek legalább 0,36 mm (26 AWG) vastagságúnak kell lenniük, FCC-kompatibilis RJ-11 moduláris csatlakozóval.

- A PC-kártyák rendeltetészerű használat közben nagyon felmelegedhetnek, ezért legyen óvatos, amikor hosszan tartó folyamatos használat után eltávolítja a PC-kártyákat a számítógépből.
- A számítógép tisztítása előtt szüntesse meg a tápellátást. A számítógépet puha, vízzel nedvesített ruhával tisztítsa meg. Ne használjon folyékony vagy permetezhető tisztítókat, amelyek gyúlékony összetevőket is tartalmazhatnak.



### **Óvintézkedés: Tápellátás (Biztonsági óvintézkedések, *folytatás*)**



- Ezzel a számítógéppel kizárólag a Dell saját váltakozó áramú átalakítóját használja. Más átalakító használatával tüzet vagy robbanást okozhat.
- Mielőtt csatlakoztatná a számítógépet a táphálózati aljzatba, győződjön meg arról, hogy a váltakozó áramú átalakító névleges feszültsége és frekvenciája megegyezik az elektromos hálózat megfelelő paramétereivel.
- A számítógép áramtalanításához először kapcsolja ki azt, távolítsa el az akkumulátort, majd húzza ki a váltakozó áramú átalakító tápkábelét az elektromos csatlakozóaljzathoz.



- Az áramütés elkerülése érdekében a váltakozó áramú átalakító és a perifériaeszközök tápkábelét megfelelően földelt hálózati aljzathoz csatlakoztassa. Előfordulhat, hogy a kábelek a megfelelő földelés biztosításához szabványos földelt csatlakozókkal vannak felszerelve. Ne használjon csatlakozóátalakítókat, és ne távolítsa el a dugók földelőérintkezőit. Amennyiben a váltakozó áramú átalakítóhoz hosszabbítót használ, ellenőrizze, hogy a hosszabbító is ugyanolyan típusú (2 vagy 3 érintkezős) legyen, mint az átalakító tápkábele.



- Vigyázzon arra, hogy a hálózati átalakító tápkábelére soha ne helyezzen semmit, és hogy a kábel ne kerüljön olyan helyre, ahol valaki ráléphet vagy esetleg felbukhat benne.
- Amennyiben több csatlakozóval is használható hosszabbítót használ, akkor óvatosan csatlakoztassa hozzá a tápkábelt. Egyes hosszabbítókba helytelenül is csatlakoztathatja a hálózati csatlakozót. A csatlakozó helytelen használatával károsíthatja a számítógépet, és elektromos áramütést és/vagy tüzet is okozhat. Figyeljen arra, hogy a földelőérintkező a megfelelő helyre kerüljön.



### Óvintézkedés: Akkumulátorok (Biztonsági óvintézkedések, *folytatás*)



- Ezzel a számítógéppel kizárólag az előírt Dell akkumulátorokat használja. Más típusú akkumulátor használatával tűz- és robbanásveszélyt idézhet elő.
- Ne tartsa az akkumulátort zsebében, pénztárcájában vagy bármely olyan helyen, ahol fémtárgyakhoz (például kulcsokhoz vagy iratkapcsokhoz) érhet, mert azok rövidre zárhatják az akkumulátor érintkezőit. Az ilyenkor létrejövő nagy áramerősség nagyon magas hőmérsékletet okozhat, amely az akkumulátor károsodásához, vagy tűzhez, illetve égési sérülésekhez vezethet.
- Az akkumulátorok nem megfelelő használat esetén égési sérüléseket okozhatnak. Ne szedje szét őket. A sérült vagy szivárgó akkumulátorral igen óvatosan bándjon. Ha megsérül az akkumulátor, akkor a cellából kifolyhat az elektrolit, amely személyi sérülést okozhat.
- Az akkumulátort tartsa gyerekektől távol.





- Ne tárolja vagy hagyja a számítógépet vagy az akkumulátort hőforrás, például radiátor, tűzhely, tűzrakó hely, elektromos melegítő vagy más hőt termelő eszköz közelében, illetve ne tárolja 60°C-nál magasabb hőmérsékleten. Magas hőmérsékletre melegedve az akkumulátor cellái felrobbanhatnak vagy kinyílhatnak, tüzet okozva ezzel.



- A számítógép akkumulátorát soha ne dobja tűzbe vagy a háztartási szemét közé. Az akkumulátorok cellái felrobbanhatnak. Az akkumulátorokat a gyártó előírásainak megfelelő helyre dobja ki, vagy lépjen kapcsolatba a helyi köztisztasági vállalattal a szükséges útmutatásért. Az elhasznált vagy sérült akkumulátort azonnal dobja ki.



### **Óvintézkedés: Légi közlekedés (Biztonsági óvintézkedések, *folytatás*)**



- Egyes légi közlekedési szabályozások és/vagy légitársasági megkötések korlátozhatják Dell™ számítógépének használatát a repülő fedélzetén. Például a szabályozások/megkötések megtilthatják bármely személyes elektronikus eszköz használatát, amelyek akaratlanul is kibocsáthatnak rádiófrekvenciás és más elektromágneses sugárzást a fedélzetén.



- A szabályok legmegfelelőbb betartása érdekében, amennyiben Dell hordozható számítógépe rendelkezik Dell TrueMobile™ vagy más vezeték nélküli kommunikációs eszközzel, akkor tiltsa le az eszközt a repülőgép fedélzetére lépés előtt, és kövesse a légiutas-kísérőknek az eszközre vonatkozó utasításait.



- Továbbá előfordulhat, hogy a személyes elektronikus eszközök, mint például a hordozható számítógépek használata tilos a repülés egyes kritikus fázisaiban, például fel- és leszálláskor. Egyes légitársaságok tovább is pontosíthatják a kritikus repülési fázist, például bármely helyzetet, amikor a repülőgép 3050 m (10000 láb) alatt repül. Kövesse a légitársaság útmutatásait, amelyben meghatározzák, hogy mikor használhatja a személyes elektronikus eszközöket.

## A számítógép használata során

A számítógép sérülésének elkerülése érdekében mindig tartsa szem előtt az alábbi, biztonságos kezelést biztosító irányelveket:

- A számítógépet a használat előtt helyezze sima, vízszintes felületre.
- Utazáskor ne adja fel csomagként a számítógépet. A hatóságoknak nyugodtan megengedheti, hogy megröntgenezzék a számítógépet, de soha nem szabad fémérzékelő készülékkel megvizsgálni. Ha kézzel vizsgálják meg a számítógépet, mindig legyen kéznél feltöltött akkumulátor arra az esetre, ha be kell kapcsolnia a számítógépet.
- Ha úgy utazik, hogy a merevlemez ki van szerelve a számítógépből, akkor csomagolja a merevlemezt elektromosan szigetelő anyagba, például szövetbe vagy papírba. Ha meg akarják vizsgálni a merevlemezt, akkor készüljön fel arra, hogy be kell helyeznie a merevlemezt a számítógépbe. A hatóságoknak nyugodtan megengedheti, hogy megröntgenezzék a merevlemezt, de soha nem szabad azt fémérzékelő készülékkel megvizsgálni.
- Utazáskor ne helyezze a számítógépet a feje fölötti polcra vagy tartórekeszbe, ahol könnyen elmozdulhat vagy akár le is eshet. Ne ejtse le a számítógépet, és ne tegye ki más ütdéseknek sem.
- Óvja a számítógépet, az akkumulátort és a merevlemezt a különféle káros környezeti hatásoktól, például piszoktól, portól, élelmiszertől, folyadékoktól, szélsőséges hőmérséklettől, illetve ne tegye ki túlzott napsütésnek.

- Amennyiben a számítógépet nagyon eltérő hőmérsékletű vagy páratartalmú környezetbe helyezi át, a számítógép belsejében vagy külsején páralecsapódás jelentkezhet. A számítógép sérülésének és károsodásának elkerülése végett várja meg, amíg a lecsapódott pára elpárolog, és csak ezután kapcsolja be a számítógépet.



**FIGYELMEZTETÉS:** Amikor hidegebb helyről melegebb helyre viszi a számítógépet, vagy fordítva, várja meg, amíg a számítógép alkatrészei felveszik az új hőmérsékletet, és csak ezután kapcsolja be.

- Kábel eltávolításakor vagy kihúzásakor mindig a csatlakozódugót vagy az e célra szolgáló hurkot húzza, ne magát a kábelt. A csatlakozódugó kihúzásakor tartsa a dugót az aljzatra merőlegesen, így megelőzheti a csatlakozótűskék esetleges elhajlását. A kábel csatlakoztatása előtt mindig győződjön meg arról, hogy mindkét csatlakozótűske megfelelően áll.
- Bánjon óvatosan az alkatrészekkel. A memóriamodulhoz hasonló alkatrészeket mindig élüknél, és soha ne csatlakozóiknál fogja meg.
- Amikor eltávolít egy memóriamodult az alaplapról, illetve lecsatlakoztat egy külső eszközt a számítógépről, a művelet előtt mindig várjon 5 másodpercet a számítógép kikapcsolása és a hálózati tápkábel kihúzása után, az alaplap esetleges károsodását elkerülendő.
- A kijelzőt puha, tiszta ruhával, valamint a kereskedelmi forgalomban kapható olyan ablaktisztító folyadékkal tisztítsa meg, amely nem tartalmaz viaszt vagy súrolószert. Nedvesítse meg a ruhát a tisztítószerrel, majd vízszintes, egyirányú mozdulatokkal törölje meg a kijelzőt, felülről lefelé haladva. Ha a kijelző ragacsos, vagy más módon szennyezett, akkor a tisztításhoz izopropil-alkoholt használjon a közönséges ablaktisztító folyadék helyett.
- Amennyiben a számítógépet víz éri, illetve megsérül, kövesse a *Felhasználói kézikönyv* „Hibaelhárítás” című részében található utasításokat. Amennyiben a műveletek végrehajtása után is úgy találja, hogy számítógépe nem működik megfelelően, akkor vegye fel a kapcsolatot a Dell céggel (a szükséges információkat megtalálja a *Felhasználói kézikönyv* „Kapcsolatfelvétel a Dell-lel” című részében).

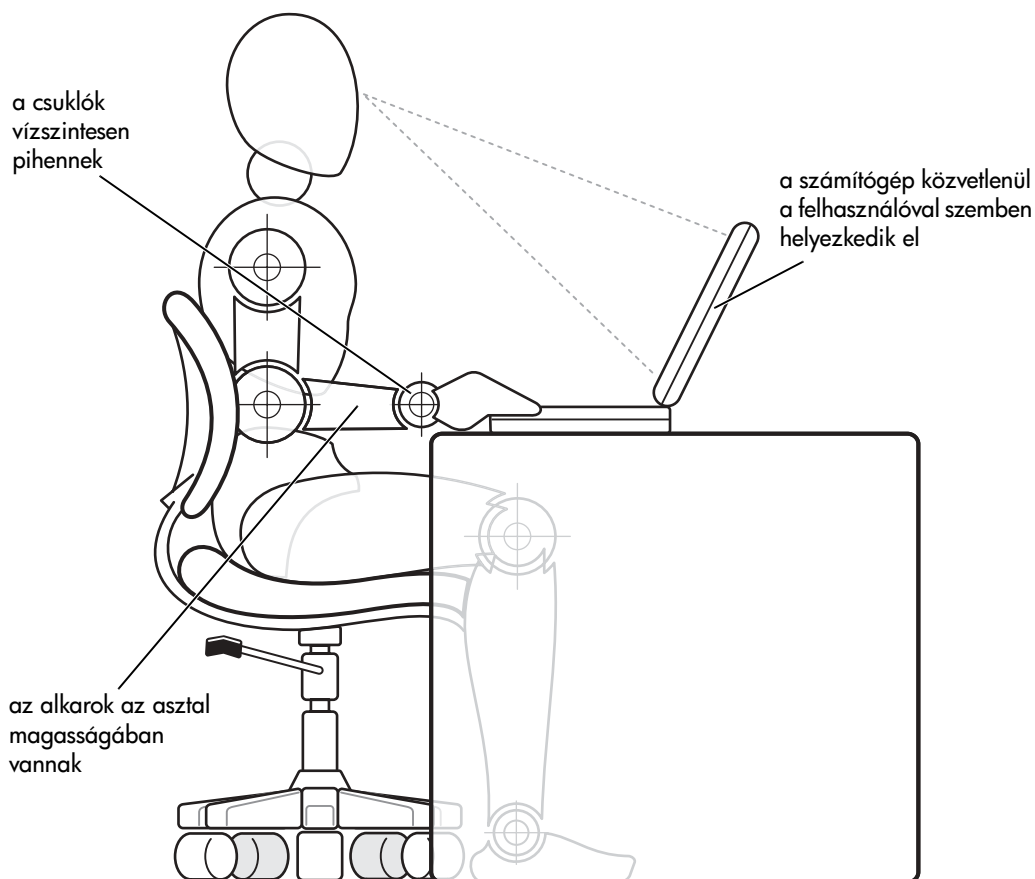
## Ergonómiai szokások a számítógép előtt

 **ÓVINTÉZKEDÉS: A billentyűzet helytelen vagy hosszan tartó használata sérüléshez vezethet.**

 **ÓVINTÉZKEDÉS: A kijelző vagy a külső monitor hosszan tartó figyelése a szem túlterhelését okozhatja.**

A számítógép üzembe helyezésekor a komfortérzet és a hatékonyság növelése érdekében figyelembe kell venni a következő ergonómiai irányelveket:

- Munka közben a számítógépet közvetlenül maga elé helyezze.
- A kijelző dőlésszögét, a kontraszt és fényerősség beállítását, illetve a környezet megvilágítását (felső megvilágítás, asztali lámpa, függönyök, sötétítők a közeli ablakokon) oly módon válassza meg, hogy a fényviszonyok és a kijelzőről visszaverődő fény ne zavarja.
- Külső monitor használata esetén helyezze azt kényelmes látótávolságba (általában 510 és 610 mm között). A monitor szemmagasságban vagy egy kicsit az alatt legyen, amikor a számítógép előtt ül.
- Olyan széket használjon, amely jól megtámasztja a hát alsó részét.
- Az alkarját és csuklóját vízszintesen, kényelmesen tartsa, miközben a billentyűzetet, az érintőpanelt, a joystick-bütyköt vagy az egeret használja.
- A billentyűzet, az érintőpanel vagy a joystick-bütyök használata közben mindig helyezze a kezét a csuklótámasztó párnára. Külső egér használata esetén hagyjon helyet a kéz alátámasztásának.
- Felkarjait hagyja szabadon lógni az oldala mellett.
- Üljön egyenesen, vízszintes combokkal, és a talpait pihentesse a padlón.
- Ülőhelyzetben győződjön meg arról, hogy a lábai súlyát a lábfeje tartja, és az nem a szék elülső felére nehezedik. A helyes testtartás eléréséhez szükség esetén állítsa be a szék magasságát vagy használjon lábtartót.
- Időnként változtasson a munka fajtáján. Munkaidejét úgy ossza be, hogy ne kelljen hosszú ideig gépelnie pihenés nélkül. Amikor gépelés közben pihen, próbálja mindkét kezét megmozgatni.



## Memóriamodulok eltávolítása vagy telepítése esetén

Memóriamodulok eltávolítása vagy telepítése előtt hajtsa végre az alábbi lépéseket a megadott sorrendben.

**FIGYELMEZTETÉS:** A számítógép kikapcsolása után várjon 5 másodpercet, mielőtt leválasztja a külső eszközt vagy eltávolítja a memóriamodult, hogy elkerülje az alaplap esetleges sérülését.

- 1 Kapcsolja ki a számítógépet és minden csatlakoztatott perifériaeszközt.
- 2 Az esetleges áramütés elkerülése érdekében húzza ki a számítógép és a csatlakoztatott perifériaeszközök tápkábelét a hálózati aljzatból. Ezen kívül húzza ki a telefon vagy bármely más kommunikációs vonal csatlakozóit is a számítógépből.

- 3 Vegye ki a fő akkumulátort az akkumulátorrekeszből, és ha szükséges, a másodlagos akkumulátort a modulrekeszből.
- 4 Földelje magát a számítógép hátlapján található bemeneti/kimeneti (I/O) panel festetlen fémfelületének megérintésével.

Munka közben időnként érintse meg az I/O-panelt, hogy elvezesse a belső összetevőkre káros sztatikus elektromosságot.

Az alábbi figyelmeztetés emlékezteti a Dell dokumentáció egyes helyein ezen óvintézkedések betartására:



**FIGYELMEZTETÉS:** Lásd a *Rendszerinformációs kézikönyv* „Védelem elektrosztatikus kisülés ellen” című fejezetét.

### Védelem elektrosztatikus kisülés ellen

A sztatikus elektromosság károsíthatja a számítógép elektronikus összetevőit. A sztatikus károsodás elkerülése érdekében el kell vezetnie testéből a sztatikus elektromos töltést, mielőtt bármihez, például egy memóriamodulhoz hozzáér a számítógép belsejében. Ehhez érintse meg a számítógép egyik bemeneti/kimeneti (I/O) csatlakozójának festetlen fémfelületét.

A számítógép szerelése közben időnként érintsen meg egy bemeneti/kimeneti (I/O) csatlakozót, hogy az összegyűlt sztatikus elektromos töltést elvezesse a testéből.

A következő lépések követésével megelőzheti az elektrosztatikus kisülés okozta károkat:

- A sztatikus töltésre érzékeny alkatrészek kicsomagolásakor csak akkor vegye le az antisztatikus csomagolóanyagot, amikor már készen áll az alkatrész telepítésére. Közvetlenül az antisztatikus csomagolóanyag eltávolítása előtt vezesse le a testében felhalmozódott sztatikus elektromos töltést.
- Az érzékeny alkatrészek szállítása esetén helyezze azokat antisztatikus csomagolásba.
- Minden érzékeny alkatrészt csak sztatikusan semleges környezetben használjon. Lehetőség szerint antisztatikus padló- és asztalborítás ajánlott.

## Első lépések

A számítógép használathoz való előkészítéséhez:

- 1 Csomagolja ki a tartozékokat.
- 2 Rakja ki egymás mellé a tartozékokat a dobozból, ezekre szüksége lesz a számítógép telepítéséhez.

A tartozékok dobozában találja a dokumentációt és a számítógéphez megrendelt programokat vagy további hardvereszközöket (például PC-kártyákat, meghajtókat vagy akkumulátorokat) is.

### A váltakozó áramú átalakító csatlakoztatása

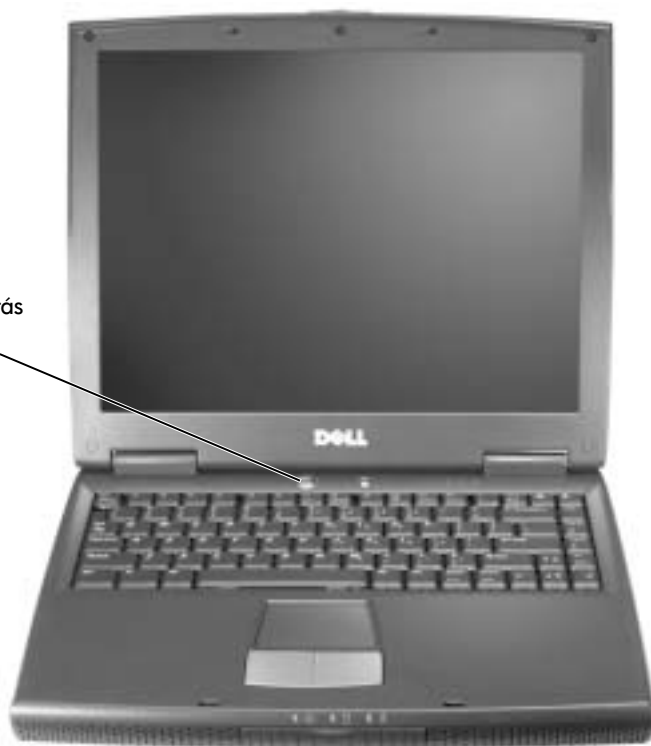


## A számítógép bekapcsolása

A számítógép bekapcsolásához nyissa fel a számítógép képernyőjét, és nyomja meg a tápellátás gombot.

**TIPP:** Legalább egyszer mindenképpen kapcsolja be és kapcsolja ki a számítógépet, mielőtt bármilyen USB-eszközt (pl. nyomtatót vagy portreplikátort) csatlakoztatna hozzá.

tápellátás  
gomb





## A számítógép részei

### Előnézet

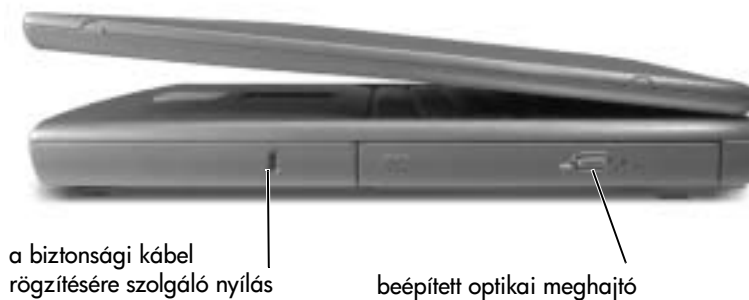
**⚠ ÓVINTÉZKEDÉS:** A számítógép szellőző- és egyéb nyílásait soha ne zárja el, a nyílásokon semmit ne dugjon be, illetve ne hagyja, hogy a nyílásokban por rakódjon le. Ellenkező esetben károsodhat a számítógép vagy tűz keletkezhet.



### Bal oldali nézet



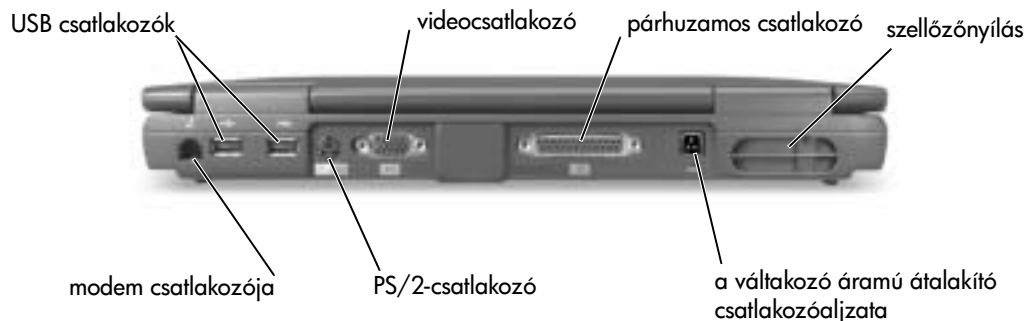
### Jobb oldali nézet



## Hátulnézet

**FIGYELMEZTETÉS:** A számítógép károsodásának elkerüléséhez a számítógép kikapcsolása után várjon 5 másodpercet, mielőtt leválaszt egy külső eszközt.

**ÓVINTÉZKEDÉS:** A számítógép szellőző- és egyéb nyílásait soha ne zárja el, a nyílásokon semmit ne dugjon be, illetve ne hagyja, hogy a nyílásokban por rakódjon le. Ellenkező esetben károsodhat a számítógép vagy tűz keletkezhet.

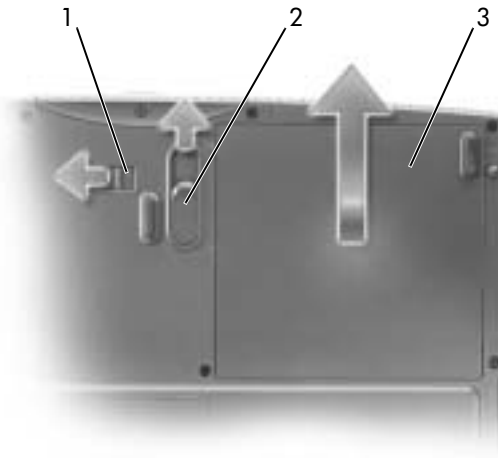


## Az akkumulátor eltávolítása

**FIGYELMEZTETÉS:** Amennyiben a számítógép készenléti üzemmódjában szeretné kicserélni az akkumulátort, akkor erre legfeljebb 4 perc áll rendelkezésére, mielőtt a számítógép kikapcsol, és ezzel elvesz minden el nem mentett adat.

Az akkumulátor eltávolítása előtt győződjön meg arról, hogy a számítógép ki van kapcsolva vagy nem kapcsolódik elektromos csatlakozóaljzathoz.

- 1 Nyissa ki az akkumulátorrekesz zárját.
- 2 Csúsztassa el, és tartsa ebben a helyzetben az akkumulátorrekesz zárját.
- 3 Vegye ki az akkumulátort.



### **Az akkumulátor behelyezése**

- 1 Ellenőrizze, hogy az akkumulátorrekesz zárja nyitott állásban van-e.
- 2 Csúsztassa az akkumulátort a rekeszbe addig a pontig, amíg a kioldó a helyére nem kattán.
- 3 Zárja le az akkumulátort.

## **Szabályozó rendelkezések**

Az elektromágneses interferencia (EMI) bármely szabad térbe sugárzott, illetve táp- vagy jelkábeleken keresztül terjedő jel vagy sugárzás, amely veszélyezteti a rádióhullámú navigációs berendezések vagy más biztonsági szolgáltatások működését, vagy komolyan leront, zavar vagy ismételtlen megszakít egy bejelentett, jogszerűen üzemelő rádiókommunikációs szolgáltatást. A rádiókommunikációs szolgáltatások közé tartoznak többek között, de ezekre nem korlátozva, az AM/FM kereskedelmi rádióadók, a televízióadók, a mobil szolgáltatások, a radarok, a légiforgalmi irányítórendszerek, a személyhívók és a személyes kommunikációs szolgáltatások (PCS). Ezek a jogszerűen bejegyzett szolgáltatások a nem közvetlenül ilyen célú digitális berendezésekkel (például számítógépekkel) együtt sugároznak elektromágneses környezetünkbe.

Az elektromágneses kompatibilitás (EMC) az elektronikus berendezések részeinek az a tulajdonsága, amely lehetővé teszi, hogy egymás mellett megfelelően működjenek az elektronikus környezetben. A számítógép megfelel az elektromágneses interferenciára vonatkozó rendelkezéseknek, arra azonban nincsen semmiféle garancia, hogy egy adott telepítésnél ilyen interferencia nem alakulhat ki. Amennyiben a készülék interferenciát okozna más rádiókommunikációs szolgáltatásokkal, ami a készülék ki- és bekapcsolásával mutatható ki, az interferencia megszüntetéséhez próbálkozzon az alábbi hibaelhárítási lehetőségekkel:

- Helyezze át vagy irányítsa át a vevőantennát.
- Helyezze a vevőkészülékhez képest másik helyre a számítógépet.
- Hagyjon nagyobb helyet a számítógép és a vevőkészülék között.
- Csatlakoztassa a számítógépet egy másik táphálózati csatlakozóaljzatba, hogy a vevőkészülék és a számítógép külön hálózatrészen helyezkedjen el.

Amennyiben szükséges, forduljon a Dell ügyfélszolgálat munkatársaihoz vagy szakképzett rádió-, illetve tévészerelőhöz további tanácsokért.

A Dell számítógépek tervezése, tesztelése és minősítése során tervezett elektromágneses környezetüket veszik figyelembe. Az elektromágneses környezet besorolása általában a következő egységesített definíciók alapján történik:

- A osztályú – általában üzleti vagy ipari környezet.
- B osztályú – általában lakóépületek, lakónegyedek környezete.

A számítógépbe épített vagy ahhoz csatlakoztatott informatikai berendezések, egyebek közt külső eszközök, bővítmények, nyomtatók, bemeneti/kimeneti eszközök, monitorok stb. elektromágneses környezeti minőségének meg kell egyeznie a számítógép minőségével.

Árnyékolt jelkábelekkel kapcsolatos figyelmeztetés: Mindig árnyékolt kábellel csatlakoztassa az eszközöket bármely Dell berendezéshez, hogy csökkentse a rádiókommunikációs szolgáltatásokat zavaró interferencia kialakulásának lehetőségét. Az árnyékolt kábelek használata biztosítja a készülék elektromágneses kompatibilitási minősítésében megfogalmazott követelmények betartását az adott környezetben. Párhuzamos nyomtató használata esetén a kábelt a Dell vállalatától is beszerezheti. Amennyiben kényelmesebbnek tartja, rendelhet kábelt a Dell Computer Corporation vállalatától a weben keresztül is az [accessories.us.dell.com/sna/segmenter/asp](http://accessories.us.dell.com/sna/segmenter/asp) címen.

A legtöbb Dell számítógép a minősítése alapján B osztályú környezetben használható. Bizonyos bővítések azonban megváltoztathatják egyes konfigurációk minősítését A osztályúra. Az adott számítógép vagy berendezés elektromágneses minősítésének meghatározásához olvassa el a következő, az egyes minősítő hatóságok alapján csoportosított és rendszerezett szakaszokat. Az egyes szakaszok országfüggő EMC/EMI vagy termékbiztonsági információt tartalmaznak.

## CE szabályozás (Európai Unió)

A **CE** jel azt jelenti, hogy ez a Dell számítógép megfelel az Európai Unió elektromágneses kompatibilitásra és kisműködésű eszközökre vonatkozó direktíváinak. A jelzés értelmében ez a Dell rendszer megfelel a következő műszaki szabványoknak:

- EN 55022 — „Informatikai berendezések. Rádiózavar-jellemzők. Határértékek és mérési módszerek.”
- EN 55024 — „Informatikai berendezések. Zavartűrési-jellemzők. Határértékek és mérési módszerek.”
- EN 61000-3-2 — „Elektromágneses összeférhetőség (EMC) – 3. rész: Határértékek – 2. szakasz: Felharmonikus áramok kibocsátási határértékei (fázisonként legfeljebb 16 A bemenő áramerősségű berendezésekre).”
- EN 61000-3-3 — „Elektromágneses összeférhetőség (EMC) – 3. rész: Határértékek – 3. szakasz: A feszültség-ingadozások és a villogás (flicker) határértékei kisműködésű táphálózatokon a legfeljebb 16 A névleges áramerősségű berendezések esetén.”
- EN 60950 — „Információtechnikai berendezések villamos biztonsága.”

**MEGJEGYZÉS:** Az EN 55022 szabvány a kibocsátási követelményeket két osztályra vonatkozóan határozza meg:

- A osztály: tipikus kereskedelmi területek.
- B osztály: tipikus lakóépületek, lakónegyedek.

**FIGYELMEZTETÉS RÁDIÓFREKVENCIÁS INERFERENCIÁVAL KAPCSOLATBAN:** Ez a készülék egy A osztályú termék. A termék lakóterületeken történő használata esetén rádiófrekvenciás interferenciát okozhat. Ilyen esetben a felhasználónak meg kell tennie a szükséges intézkedéseket.

A fenti direktíváknak és szabványoknak való megfelelést igazoló „Megfelelőségi nyilatkozata” megtekinthető, illetve megrendelhető a következő címen: Dell Products Europe BV, Limerick, Ireland.

### **A használt akkumulátorok elhelyezése**

A számítógép egy lítium-ion és egy nikkel-kadmium akkumulátorral üzemel. A számítógép lítium-ion akkumulátorának cseréjével kapcsolatos tudnivalókat a Dell számítógép dokumentációjának akkumulátorcserével foglalkozó fejezetében találja. A nikkel-kadmium akkumulátor egy hosszú élettartamú akkumulátor, amelyet valószínűleg soha nem kell majd kicserélnie. Amennyiben mégis ki kell cserélni, azt csak egy feljogosított szerviztechnikus teheti meg.

Az akkumulátort soha ne tegye a háztartási szemét közé. A legközelebbi akkumulátorgyűjtő hely címét a helyi köztisztasági vállalattól tudhatja meg.



## Az ENERGY STAR® szabványnak való megfelelés

A Dell™ számítógépek bizonyos konfigurációi megfelelnek az EPA (Environmental Protection Agency – Környezetvédelmi ügynökség) hatékony energiafelhasználású számítógépekről szóló követelményeinek. Ha a számítógépen látható az ENERGY STAR® embléma, akkor az eredeti konfiguráció megfelel ezeknek a követelményeknek, és minden elérhető ENERGY STAR® energiagazdálkodási szolgáltatás működik a számítógépen.

**MEGJEGYZÉS:** Az ENERGY STAR® emblémát hordozó minden DELL számítógép megfelel az EPA ENERGY STAR® követelményeinek a Dell által szállított eredeti konfigurációban. Az eredeti konfiguráció bármilyen módosítása (például további bővítőkártyák vagy meghajtók telepítése) megnövelheti a számítógép áramfogyasztását az EPA ENERGY STAR® vonatkozó szabványában előírt érték fölé.

## Az ENERGY STAR® embléma



Az EPA ENERGY STAR® Computers programja az EPA és a számítógépgyártók azon közös törekvésének megfogalmazása, hogy energiatakarékos számítógépek gyártásával csökkentsék a környezetszennyezést. Az EPA becslése szerint az ENERGY STAR® minősítésnek megfelelő számítástechnikai termékek használata összesen mintegy évi kétmilliárd dolláros áramköltség-megtakarítást jelent a felhasználóknak. Az elektromos áram felhasználásának csökkenésével csökken az üvegházhatásért leginkább okolható széndioxid kibocsátása, valamint a savas esők kialakulásában szerepet játszó kéndioxid és nitrogénoxidok kibocsátása is.

Az áramfogyasztás csökkentéséhez és a káros mellékhatások kiküszöböléséhez Ön is hozzájárulhat, ha kikapcsolja számítógépét, amikor hosszabb időn keresztül (például éjszaka és hétvégén) nem használja azt.



Komputery Dell™ Inspiron™ 2600 i 2650

# Przewodnik – informacje o systemie

# Wskazówki, przypomnienia i ostrzeżenia



**WSKAZÓWKA:** Sekcja WSKAZÓWKA wskazuje ważną informację, pozwalającą lepiej wykorzystać posiadany system komputerowy.



**PRZYPOMNIENIE:** Sekcja PRZYPOMNIENIE informuje o sytuacjach, w których występuje ryzyko uszkodzenia sprzętu lub utraty danych i przedstawia sposoby uniknięcia problemu.



**OSTROŻNIE:** Sekcja OSTROŻNIE informuje o sytuacjach, w których występuje ryzyko uszkodzenia sprzętu, uszkodzenia ciała lub śmierci.

## Skróty i skrótownice

Pełną listę skrótów i skrótownic można znaleźć w pliku pomocy *Powiedz mi jak*. (W systemie operacyjnym Microsoft® Windows® XP kliknij przycisk **Start** na pulpicie Windows, kliknij opcję **Help and Support** (Pomoc i obsługa techniczna), kliknij pozycję **User and system guides** (Przewodniki systemowe i użytkownika), kliknij pozycję **user's guides** (przewodniki użytkownika), a następnie kliknij pozycję **Powiedz mi jak**. W systemie Windows 2000 kliknij przycisk **Start**, wskaż polecenie **Programs** (Programy), wskaż polecenie **User's Guides** (Przewodniki użytkownika), a następnie kliknij pozycję **Powiedz mi jak**.

---

Informacje zawarte w tym dokumencie mogą ulec zmianie bez uprzedzenia.

© 2001–2002 Dell Computer Corporation. Wszelkie prawa zastrzeżone.

Powielanie w jakikolwiek sposób bez pisemnego zezwolenia od firmy Dell Computer Corporation jest surowo zabronione.

Znaki towarowe użyte w tekście: *Dell*, logo *DELL*, *AccessDirect*, *TrueMobile*, i *Inspiron* są znakami towarowymi firmy Dell Computer Corporation; *Microsoft* i *Windows* są zastrzeżonymi znakami towarowymi firmy Microsoft Corporation; *ENERGY STAR* jest zastrzeżonym znakiem towarowym agencji U.S. Environmental Protection Agency. Firma Dell Computer Corporation uczestniczy w programie ENERGY STAR i sprawdziła, że ten produkt spełnia zalecenia ENERGY STAR dotyczące oszczędności energii.

Tekst może zawierać także inne znaki towarowe i nazwy towarowe, odnoszące się do podmiotów posiadających prawa do tych znaków i nazw lub do ich produktów. Firma Dell Computer Corporation nie rości sobie praw do jakichkolwiek znaków towarowych i nazw towarowych, których nie jest prawnym właścicielem.

# Spis treści

<b>Instrukcje dotyczące bezpieczeństwa i użytkowania</b> . . . . .	<b>75</b>
Ostrożnie: Instrukcje dotyczące bezpieczeństwa . . . . .	75
Podczas korzystania z komputera . . . . .	81
Ergonomiczne korzystanie z komputera . . . . .	83
Podczas wyjmowania lub instalacji modułów pamięci . . . . .	85
Ochrona przed wyładowaniami elektrostatycznymi . . . . .	86
<b>Rozpoczęcie pracy</b> . . . . .	<b>87</b>
Podłączanie zasilacza prądu zmiennego . . . . .	87
Włączanie komputera . . . . .	88
Składniki komputera . . . . .	89
Wyjmowanie akumulatora . . . . .	91
Instalowanie akumulatora . . . . .	92
<b>Zgodność z normami</b> . . . . .	<b>93</b>
Normy CE (Unia Europejska) . . . . .	94
Wymagania Polskiego Centrum Badań i Certyfikacji . . . . .	96
Wyrzucanie zużytych akumulatorów . . . . .	97
Zgodność z normą ENERGY STAR® . . . . .	98
Symbol ENERGY STAR® . . . . .	98



# Instrukcje dotyczące bezpieczeństwa i użytkowania



## Ostrożnie: Instrukcje dotyczące bezpieczeństwa

Poniższe informacje określają znaczenie *dodatkowych* symboli używanych *wyłącznie* w sekcji "Instrukcje dotyczące bezpieczeństwa i użytkowania".



Ryzyko wybuchu



Podróż samolotem



Ryzyko pożaru



Korzystanie z tej funkcji na pokładzie samolotu może być zabronione



Niebezpieczeństwo porażenia prądem



## Ostrożnie: Ogólne (instrukcje dotyczące bezpieczeństwa, *ciąg dalszy*)

- Nie należy podejmować samodzielnych prób naprawy komputera, chyba że użytkownik jest autoryzowanym pracownikiem serwisu technicznego. Zawsze należy postępować ściśle według instrukcji montażu.
- W przypadku korzystania z przedłużacza w połączeniu z zasilaczem, należy upewnić się, że łączne natężenie prądu wszystkich urządzeń podłączonych do przedłużacza nie przekracza dopuszczalnego dla niego natężenia.
- Nie należy niczym zatykać otworów i szczelin wentylacyjnych komputera. Grozi to pożarem lub porażeniem prądem wskutek zwarcia elementów elektrycznych znajdujących się wewnątrz urządzenia.





- Podczas zasilania komputera lub ładowania akumulatora należy umieścić zasilacz w przewiewnym miejscu, na przykład na blacie biurka lub na podłodze. Nie należy przykrywać zasilacza papierami i innymi przedmiotami, które ograniczałyby możliwość chłodzenia. Nie należy również włączać zasilacza wewnątrz walizki lub torby.
- W trakcie pracy komputera zasilacz może się nagrzewać do wysokich temperatur. W trakcie pracy z komputerem lub zaraz po jej zakończeniu z zasilaczem należy postępować ostrożnie.
- Komputera przenośnego nie należy używać w sytuacji, gdy jego podstawa przez dłuższy okres czasu spoczywa na nieostygniętej skórze użytkownika. Temperatura powierzchni podstawy wzrasta podczas normalnej pracy (szczególnie jeśli podłączony jest zasilacz). Przedłużający się kontakt ze skórą może prowadzić do uczucia dyskomfortu, a nawet oparzeń.



- Nie należy używać komputera w pomieszczeniach wilgotnych ani w pobliżu zbiorników i ujęć wody, na przykład przy wannie, zlewie, na brzegu basenu lub w wilgotnej piwnicy.



- Jeśli komputer jest wyposażony w modem (zintegrowany lub opcjonalny, w postaci karty PC), to w trakcie burzy kabel od modemu powinien zostać odłączony, aby zapobiec niebezpieczeństwu porażenia prądem za pośrednictwem linii telefonicznej.



- Aby uniknąć potencjalnego ryzyka porażenia prądem, w trakcie burzy nie należy podłączać ani odłączać żadnych przewodów, ani też przeprowadzać napraw lub zmian w konfiguracji tego produktu. Nie należy używać komputera w trakcie występowania wyładowań atmosferycznych, chyba że wszystkie kable zostały odłączone od komputera, a komputer jest zasilany z akumulatora.

- Jeśli komputer wyposażony jest w modem, jego kabel połączeniowy powinien mieć rozmiar przynajmniej 26 AWG i wtyczkę modułową RJ-11 zgodną ze standardem FCC.
- W trakcie pracy karty PC mogą nagrzewać się do wysokich temperatur. Dlatego przy usuwaniu kart PC po dłuższym okresie pracy należy zachować ostrożność.
- Przed rozpoczęciem czyszczenia komputera należy odłączyć zasilanie. Do czyszczenia komputera należy używać miękkiej szmatki zwilżonej wodą. Nie należy używać środków czyszczących w płynie czy w aerozolu, które mogą zawierać substancje łatwopalne.



**Ostrożnie: Zasilanie**  
(instrukcje dotyczące bezpieczeństwa, *ciąg dalszy*)



- Należy używać tylko zasilacza firmy Dell, który został zatwierdzony do pracy z tym komputerem. Użycie innego zasilacza może spowodować pożar lub wybuch.
- Przed podłączeniem komputera do gniazda elektrycznego należy sprawdzić parametry zasilacza i upewnić się, że wymagane napięcie i częstotliwość odpowiadają parametrom źródła zasilania.
- Aby odłączyć zasilanie komputera, należy wyłączyć komputer, wyjąć akumulatory i odłączyć zasilacz od gniazda elektrycznego.



- Aby zapobiec niebezpieczeństwu porażenia elektrycznego, kabel zasilacza i kable zasilające innych urządzeń należy podłączyć do prawidłowo uziemionych źródeł zasilania. Kable te mogą być wyposażone we wtyczki z trzema bolcami, co zapewnia właściwe uziemienie. Nie należy używać przejściówek ani usuwać bolca uziemiającego z wtyczki kabla zasilania. W przypadku korzystania z przedłużacza należy używać kabla odpowiedniego typu, z wtyczką z dwoma lub trzema bolcami, dopasowanego do kabla zasilacza.
- Należy upewnić się, czy kabel zasilacza nie jest niczym przyciśnięty i nie znajduje się w miejscu, w którym można potknąć się o niego lub na niego nadepnąć.



- W przypadku korzystania z listwy zasilania należy zachować ostrożność podczas podłączania do niej kabla zasilającego. W przypadku niektórych listew zasilania możliwe jest nieprawidłowe włożenie wtyczki. Nieprawidłowe włożenie wtyczki może spowodować trwałe uszkodzenie komputera, a także grozić pożarem i/lub porażeniem prądem. Należy upewnić się, że bolce uziemiający wtyczki jest włożony do odpowiedniego otworu uziemiającego listwy zasilania.





## **Ostrożnie: Akumulator** **(instrukcje dotyczące bezpieczeństwa, ciąg dalszy)**



- Należy używać tylko modułów akumulatorowych firmy Dell zatwierdzonych do pracy z tym komputerem. Użycie akumulatorów innego typu może zwiększyć zagrożenie pożarem lub wybuchem.



- Nie należy przenosić akumulatora w kieszeni, w portfelu ani w innym pojemniku, w którym istniałoby ryzyko zwarcia końcówek akumulatora przez przedmioty metalowe (na przykład klucze lub spinacze do papieru). Powstały w wyniku zwarcia niekontrolowany przepływ prądu mógłby doprowadzić do wytworzenia bardzo wysokich temperatur i zniszczenia akumulatora oraz do pożaru i oparzeń.

- W przypadku niewłaściwego obchodzenia się z akumulatorem istnieje możliwość poparzenia. Akumulatora nie należy rozmontowywać. Z akumulatorem zniszczonym lub takim, w którym nastąpił wyciek, należy obchodzić się z wyjątkową ostrożnością. Jeśli akumulator jest uszkodzony, to możliwy jest wyciek elektrolitu z komór, co może spowodować uszkodzenia ciała.

- Akumulator należy przechowywać w miejscu niedostępnym dla dzieci.



- Nie należy przechowywać ani pozostawiać komputera lub akumulatora w pobliżu źródeł ciepła, takich jak kaloryfer, kominek, piec, grzałka elektryczna i innych urządzeń wytwarzających ciepło oraz w inny sposób wystawiać na działanie temperatury powyżej 60°C (140°F). Po rozgrzaniu do wysokiej temperatury akumulatory mogą eksplodować lub może się z nich ulatniać gaz, co może grozić pożarem.



- Akumulatorów nie należy wrzucać do ognia ani wyrzucać wraz z innymi odpadkami. Grozi to eksplozją akumulatorów. Zużytego akumulatora należy pozbywać się w sposób zgodny z instrukcjami producenta lub skontaktować się z najbliższym punktem utylizacji, aby uzyskać instrukcje. Zużytego lub uszkodzonego akumulatora należy pozbyć się w jak najkrótszym czasie.



### **Ostrożnie: Podróż samolotem (instrukcje dotyczące bezpieczeństwa, *ciąg dalszy*)**



- Korzystanie z komputera firmy Dell™ na pokładzie samolotu może być obwarowane przepisami lotniczymi Federal Aviation Administration i/lub przepisami obowiązującymi w danej linii lotniczej. Przykładowo, tego rodzaju przepisy/ograniczenia mogą zabraniać używania podczas pobytu w samolocie jakiegokolwiek osobistego urządzenia elektronicznego (PED) zdolnego do wysyłania fal radiowych lub innych fal elektromagnetycznych.



- W celu dostosowania się do wszystkich tych ograniczeń, w przypadku, gdy komputer przenośny firmy Dell wyposażony jest w moduł Dell TrueMobile™ lub inne urządzenie do komunikacji bezprzewodowej, należy wyłączyć to urządzenie przed wejściem na pokład samolotu i stosować się do instrukcji personelu dotyczących postępowania z takim urządzeniem.



- Dodatkowo, korzystanie z dowolnego urządzenia PED, takiego jak komputer przenośny, może być zabronione podczas pobytu w samolocie w czasie krytycznych etapów lotu, na przykład startu i lądowania. W przypadku niektórych linii lotniczych dodatkowo jako krytyczny etap lotu określa się dowolny moment, gdy pułap samolotu jest niższy niż 3050 m (10000 stóp). Należy przestrzegać instrukcji obowiązujących w danych liniach lotniczych, dotyczących możliwości korzystania z urządzeń PED.

## Podczas korzystania z komputera

Aby uniknąć uszkodzenia komputera, należy przestrzegać poniższych zasad bezpiecznej obsługi:


- Przygotowując komputer do pracy, należy ustawić go na równej powierzchni.
- W trakcie podróży nie należy zgłaszać komputera jako bagażu. Komputer można przepuścić przez skaner rentgenowski, lecz nigdy nie należy wystawiać go na działanie wykrywacza metalu. W przypadku zgłaszania komputera jako bagażu podręcznego należy zawsze mieć przy sobie naładowany akumulator, w przypadku gdyby pracownik ochrony poprosił o włączenie komputera.
- Przewoząc wymontowany z komputera dysk twardy, należy go owinąć w materiał nieprzewodzący prądu, na przykład w tkaninę lub papier. Jeśli dysk jest zgłaszany jako bagaż podręczny, należy być przygotowanym do zainstalowania go w komputerze. Komputer można przepuścić przez skaner rentgenowski, lecz nigdy nie należy wystawiać go na działanie wykrywacza metalu.
- W trakcie podróży nie należy umieszczać komputera na górnej półce bagażowej, gdzie mógłby się ślizgać. Komputera nie należy też upuszczać ani poddawać wstrząsom i uderzeniom.
- Należy chronić komputer, akumulator i dysk twardy przed kontaktem z substancjami takimi jak brud, kurz, żywność, ciecze, przed skrajnymi temperaturami oraz przed wystawianiem na działanie światła słonecznego.
- Przy przenoszeniu komputera między miejscami znacznie różniącymi się temperaturą i/lub wilgotnością, na powierzchni lub wewnątrz komputera może nastąpić kondensacja pary wodnej. Aby uniknąć zniszczenia komputera, przed jego włączeniem należy odczekać dostateczną ilość czasu, aby skondensowana para mogła się ulotnić przed uruchomieniem komputera.




**PRZYPOMNIENIE:** Przy przenoszeniu komputera z miejsca o niskiej temperaturze do miejsca cieplejszego wysokiej lub z miejsca o wysokiej temperaturze do miejsca zimniejszego, przed włączeniem zasilania odczekaj, aby urządzenie dostosowało się do nowej temperatury.

- Przy odłączaniu kabla należy ciągnąć za wtyczkę lub umieszczoną na niej pętlę, a nie za sam kabel. Przy wyciąganiu wtyczki należy trzymać ją prostopadle do powierzchni, w której znajduje się gniazdo, aby uniknąć skrzywienia wtyków połączeniowych. Ponadto przed podłączeniem kabla należy upewnić się, że oba złącza są prawidłowo zorientowane i nie są skrzywione.
- Należy ostrożnie obchodzić się ze wszystkimi składnikami zestawu komputerowego. Elementy takie jak moduł pamięci powinno się trzymać za krawędzie, a nie za styki.
- Przygotowując się do wyjęcia modułu pamięci z płyty systemowej lub odłączenia urządzenia peryferyjnego od komputera, należy wyłączyć komputer, odłączyć kabel zasilacza i odczekać 5 sekund przed przystąpieniem do dalszych czynności, aby uniknąć potencjalnych uszkodzeń płyty systemowej.
- Wyświetlacz należy czyścić miękką, czystą szmatką zwilżoną środkiem do czyszczenia okien, niezawierającym wosku ani substancji ściernych. Środek czyszczący należy nanieść na szmatkę, po czym przecierać nią wyświetlacz w jednym kierunku, od góry do dołu. Jeżeli wyświetlacz jest silnie zabrudzony, na przykład tłuszczem, to zamiast płynu do mycia okien należy użyć alkoholu izopropylowego.
- W przypadku zamoczenia lub uszkodzenia komputera, należy postępować zgodnie z procedurami opisanymi w punkcie "Rozwiązywanie problemów" w *Podręczniku użytkownika*. Jeżeli po wykonaniu tych procedur nieprawidłowe działanie komputera zostanie potwierdzone, należy skontaktować się z firmą Dell (informacje kontaktowe uzyskać można w sekcji "Kontakt z firmą Dell" w *Podręczniku użytkownika*).

## Ergonomiczne korzystanie z komputera

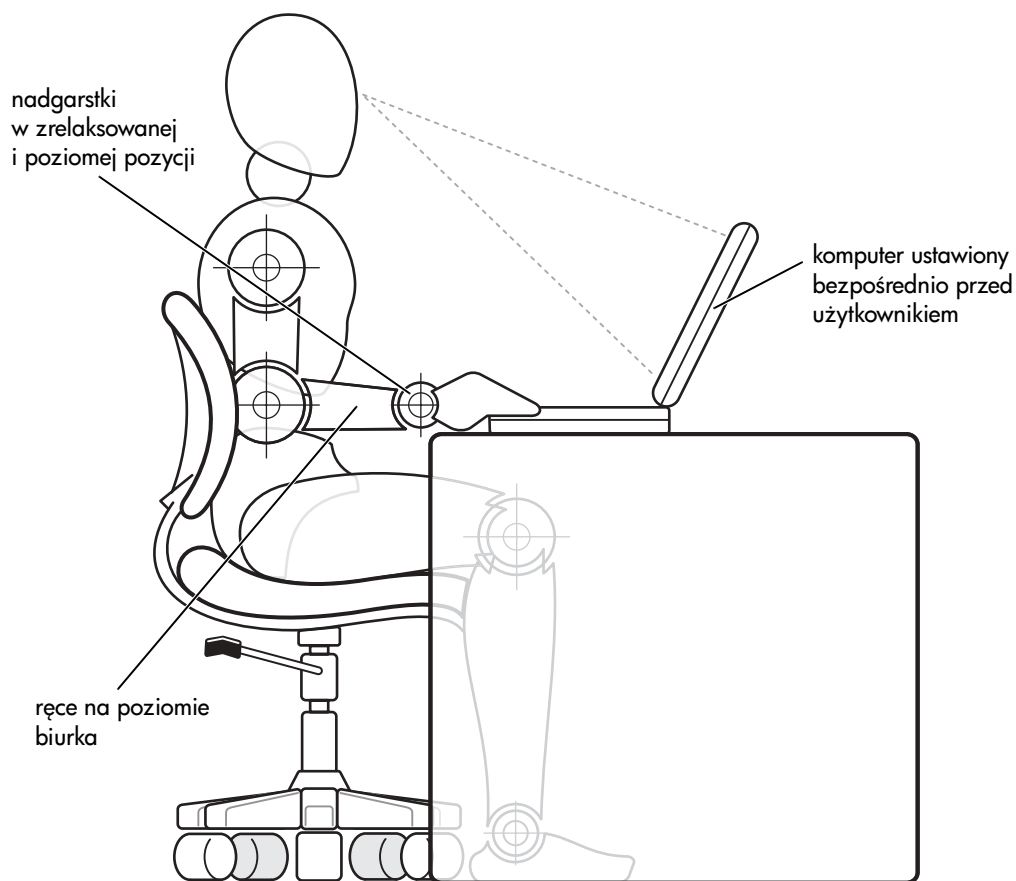
 **OSTROŻNIE: Niewłaściwe lub zbyt długie używanie klawiatury może spowodować uszkodzenia ciała.**

 **OSTROŻNIE: Patrzenie się na wyświetlacz lub zewnętrzny monitor przez długi czas może powodować zmęczenie wzroku.**

Aby zapewnić wygodę i wydajność pracy, podczas konfiguracji i korzystania z komputera należy stosować się do następujących wskazówek dotyczących ergonomii:


- Podczas pracy należy umieścić komputer dokładnie naprzeciwko siebie.
- Należy dostosować kąt nachylenia wyświetlacza komputera, ustawienia kontrastu i/lub jasności oraz dostosować warunki oświetleniowe w miejscu pracy (takie jak światło górne, lampy biurkowe, zasłony lub żaluzje w oknach), aby zminimalizować ilość refleksów świetlnych na wyświetlaczu.
- Podczas korzystania z monitora zewnętrznego należy ustawić monitor w odpowiedniej odległości (zazwyczaj jest to 510 do 610 mm [20 do 24 cali] od oczu). Należy upewnić się, że monitor znajduje się na poziomie oczu lub nieznacznie poniżej, gdy użytkownik siedzi naprzeciwko monitora.
- Należy używać krzesła, które zapewnia dobre oparcie dla dolnej części pleców.
- Podczas korzystania z klawiatury, wodzika, panelu dotykowego lub zewnętrznej myszy należy trzymać przedramiona w pozycji poziomej, z nadgarstkami w neutralnej, wygodnej pozycji.
- Podczas korzystania z klawiatury, panelu dotykowego lub wodzika, należy zawsze używać podkładki pod dłonie. Podczas korzystania z zewnętrznej myszy należy pozostawić miejsce na oparcie rąk.
- Ramiona powinny swobodnie zwisać wzdłuż tułowia.
- Należy siedzieć w pozycji wyprostowanej, z nogami opartymi na podłodze i udami ułożonymi w pozycji poziomej.
- Należy upewnić się, że podczas siedzenia ciężar nóg spoczywa na stopach, a nie na przedniej części siedziska krzesła. Należy dostosować wysokość krzesła lub, jeżeli jest to konieczne, używać podnóżka, aby zachować właściwą postawę.

- Należy urozmaicać wykonywane czynności. Należy zorganizować pracę tak, aby nie trzeba było pisać na klawiaturze przez dłuższy czas. Po zakończeniu pisania, należy wykonywać czynności, które wymagają użycia obu rąk.



## Podczas wyjmowania lub instalacji modułów pamięci

Przed usunięciem lub zainstalowaniem modułów pamięci, wykonaj, w podanej kolejności, następujące czynności:

 **PRZYPOMNIENIE:** Aby zapobiec ewentualnym uszkodzeniom płyty systemowej, należy odczekać 5 sekund po wyłączeniu komputera przed odłączeniem urządzenia peryferyjnego lub wyjęciem modułu pamięci.

- 1 Wyłącz komputer i wszystkie dołączone do niego urządzenia peryferyjne.
- 2 Odtłącz komputer i wszystkie dołączone do niego urządzenia peryferyjne od gniazd elektrycznych, aby ograniczyć ryzyko uszkodzenia ciała lub porażenia prądem. Ponadto odłącz od komputera wszelkie linie telefoniczne i telekomunikacyjne.
- 3 Wyjmij akumulator główny z wnęki akumulatora oraz, jeśli to konieczne, akumulator zapasowy z wnęki modułowej.
- 4 Pozbądź się ładunków elektrycznych, dotykając niemalowanej powierzchni metalowej panelu we/wy w tylnej części komputera.

W trakcie pracy od czasu do czasu dotykaj panelu we/wy, aby rozproszyc ładunki elektrostatyczne, które mogłyby uszkodzić wewnętrzne podzespoły komputera.

W dokumentacji firmy Dell może pojawiać się następujące przypomnienie mające na celu zwrócenie uwagi użytkownika na te środki bezpieczeństwa:

 **PRZYPOMNIENIE:** Patrz sekcja "Ochrona przed wyladowaniami elektrostatycznymi" w *Przewodniku z informacjami o systemie*.

## Ochrona przed wyładowaniami elektrostatycznymi

Wyładowania elektrostatyczne mogą uszkodzić elementy elektroniczne znajdujące się wewnątrz komputera. Aby zapobiec uszkodzeniom spowodowanym przez wyładowania elektrostatyczne, przed dotknięciem któregośkolwiek elektronicznego elementu komputera, takiego jak moduł pamięci, należy pozbyć się ładunków elektrostatycznych z ciała. Można to zrobić, dotykając nie pomalowanej powierzchni metalowej panelu we/wy komputera.

Podczas pracy wewnątrz komputera, w regularnych odstępach czasu należy dotykać złącza we/wy, aby usunąć ładunek elektrostatyczny, który mógł zostać zgromadzony w ciele.

Można też wykonać następujące czynności, aby zapobiec uszkodzeniom spowodowanym przez wyładowania elektrostatyczne:

- Podczas wyjmowania elementów wrażliwych na wyładowania elektrostatyczne z opakowania transportowego nie należy usuwać opakowania antystatycznego aż do czasu, gdy elementy będą instalowane. Przed zdjęciem opakowania antystatycznego należy pozbyć się ładunków elektrostatycznych z ciała.
- Podczas transportu wrażliwych elementów, należy je najpierw włożyć do antyelektrostatycznego pojemnika lub opakowania.
- Wszystkie wrażliwe elementy powinny być przechowywane i używane w środowisku bezpiecznym pod względem wyładowań elektrostatycznych. Jeżeli jest to możliwe, należy używać antystatycznych podkładek na podłogę lub biurko.



# Rozpoczęcie pracy

Aby skonfigurować komputer:

- 1 Rozpakuj pojemnik z akcesoriami.
- 2 Elementy stanowiące zawartość pojemnika z akcesoriami należy wyłożyć, ponieważ będą one potrzebne do zakończenia podłączania komputera.

Pojemnik z akcesoriami zawiera także dokumentację użytkownika oraz zamówione oprogramowanie lub sprzęt dodatkowy (taki jak karty PC, napędy lub akumulatory).

## Podłączanie zasilacza prądu zmiennego



## Włączanie komputera

Aby włączyć komputer, należy otworzyć klapę z wyświetlacza i nacisnąć przycisk zasilania.



### WSKAZÓWKA:

Nie należy podłączać żadnego urządzenia USB, takiego jak drukarka czy replikator portów, do komputera, zanim komputer nie zostanie włączony i wyłączony przynajmniej raz.

przycisk  
zasilania



## Składniki komputera

### Widok z przodu

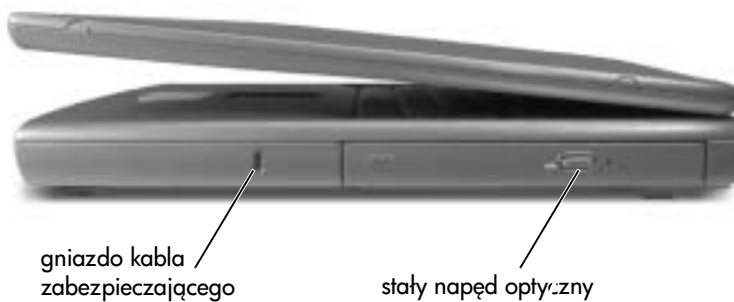
**⚠ OSTROŻNIE:** Nie należy blokować ani zatykać otworów wentylacyjnych, ani doprowadzać do gromadzenia się w nich kurzu. Grozi to uszkodzeniem komputera lub pożarem.



### Widok z lewej strony



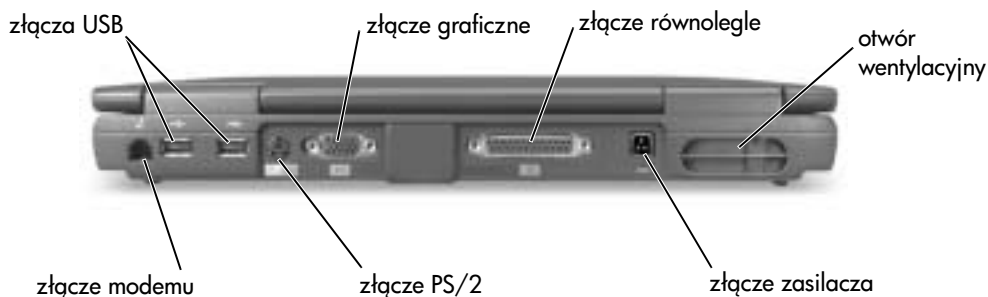
### Widok z prawej strony



## Widok z tyłu

**PRZYPOMNIENIE:** Aby uniknąć uszkodzenia komputera, należy poczekać 5 sekund od wyłączenia komputera przed odłączeniem urządzenia zewnętrznego.

**OSTROŻNIE:** Nie należy blokować ani zatykać otworów wentylacyjnych, ani doprowadzać do gromadzenia się w nich kurzu. Grozi to uszkodzeniem komputera lub pożarem.

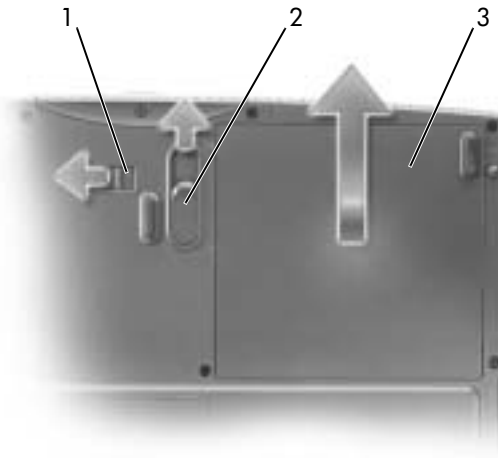


## Wymowanie akumulatora

**PRZYPOMNIENIE:** Jeśli akumulator jest wymieniany, gdy komputer znajduje się w trybie gotowości, to cała operacja nie powinna trwać dłużej niż 4 minuty. Po tym czasie system zostanie zamknięty, a wszystkie nie zapisane dane zostaną utracone.

Przed wyjęciem akumulatora należy upewnić się, że komputer jest wyłączony lub odłączony od gniazda elektrycznego.

- 1 Odblokuj akumulator.
- 2 Przesuń i przytrzymaj zatrzask zwalniający akumulatora.
- 3 Wyjmij akumulator.



### Instalowanie akumulatora

- 1 Upewnij się, że zatrzask akumulatora znajduje się w pozycji odblokowanej.
- 2 Wsuwaj akumulator do wnęki aż zatrzask zwalniający zatrzaśnie się.
- 3 Zablokuj akumulator.

## Zgodność z normami

Zakłócenia elektromagnetyczne wywoływane są emisją sygnałów rozsyłanych do otoczenia lub wysyłanych wzdłuż połączeń zasilających lub sygnałowych. Zakłóca ona działanie urządzeń radionawigacyjnych lub innego sprzętu, od którego zależy bezpieczeństwo ludzi lub wyraźnie obniża jakość, utrudnia lub stale przerywa funkcjonowanie koncesjonowanych usług komunikacji radiowej. Usługi komunikacji radiowej obejmują (ale nie ograniczają się do tego) emisje programów telewizyjnych i radiowych, usługi telefonii komórkowej, skanowanie radarowe, kontrole lotów powietrznych, działanie pagerów oraz usługi komunikacji osobistej PCS (Personal Communication Services). Wszystkie te licencjonowane usługi oraz przypadkowe źródła promieniowania, takie jak urządzenia cyfrowe, w tym komputery, tworzą łącznie środowisko elektromagnetyczne.

Kompatybilność elektromagnetyczna jest to zdolność urządzeń elektronicznych do prawidłowego funkcjonowania w środowisku elektromagnetycznym. Mimo że ten komputer został zaprojektowany i wykonany zgodnie z prawnymi normami określającymi maksymalne poziomy zakłóceń elektromagnetycznych, nie istnieje żadna gwarancja, że zakłócenia nie wystąpią przy określonej instalacji. Jeśli okaże się, że sprzęt ten powoduje zakłócenia radiowych usług komunikacyjnych, co można ustalić włączając go i wyłączając, poziom zakłóceń można zmniejszyć na jeden, bądź kilka z poniższych sposobów:

- Zmienić ustawienie anteny odbiorczej.
- Zmienić położenie komputera względem odbiornika.
- Odsunąć komputer od odbiornika.
- Podłączyć komputer do innego gniazda elektrycznego, tak aby komputer i odbiornik znajdowały się w osobnych odgałęzieniach sieci elektrycznej.

W razie konieczności można zasięgnąć dodatkowej porady u pracownika pomocy technicznej firmy Dell lub u doświadczonego technika radiowo-telewizyjnego.

Komputery firmy Dell są projektowane, testowane i klasyfikowane pod względem charakterystyki docelowego środowiska elektromagnetycznego. Klasyfikacje środowiska elektromagnetycznego zazwyczaj odwołują się do poniższych określeń:

- Klasa A jest zazwyczaj przeznaczona dla środowisk biurowych lub przemysłowych.
- Klasa B jest zazwyczaj przeznaczona dla środowisk domowych.

Podłączany lub włączany do komputera sprzęt komputerowy, łącznie z urządzeniami, kartami rozszerzeń, drukarkami, urządzeniami wejścia/wyjścia, monitorami itd., powinien odpowiadać komputerowi pod względem klasyfikacji dla docelowego środowiska elektromagnetycznego.

**Uwaga dotycząca ekranowanych przewodów sygnałowych:** Podłączanie urządzeń do urządzeń firmy Dell powinno się odbywać wyłącznie za pomocą kabli ekranowanych, aby zmniejszyć prawdopodobieństwo interferencji z usługami komunikacji radiowej. Korzystanie z kabli ekranowanych pozwala zagwarantować, że używane urządzenia rzeczywiście będą funkcjonowały zgodnie z wymogami docelowego środowiska elektromagnetycznego. Kabel połączeniowy dla drukarek podłączanych do portu równoległego znajduje się w ofercie firmy Dell. Kabel można zamówić w firmie Dell za pośrednictwem sieci Web, pod adresem [accessories.us.dell.com/sna/segmenter/asp](http://accessories.us.dell.com/sna/segmenter/asp).

Większość komputerów firmy Dell jest przeznaczonych do użytku w środowiskach klasy B. Jednak wyposażenie w pewne funkcje opcjonalne może spowodować zmianę kategorii urządzenia na klasę A. Aby ustalić klasyfikację elektromagnetyczną komputera lub urządzenia, należy szukać informacji w poniższych punktach dotyczących poszczególnych instytucji normalizacyjnych. Każdy z punktów zawiera informacje dotyczące standardów bezpieczeństwa, zgodności elektromagnetycznej i zakłóceń elektromagnetycznych obowiązujących w poszczególnych krajach.

### **Normy CE (Unia Europejska)**

Oznakowanie symbolem **CE** oznacza zgodność niniejszego komputera firmy Dell z Dyrektywami EMC i Low Voltage Directive, obowiązującymi w obrębie Unii Europejskiej. Takie oznakowanie świadczy o spełnieniu przez system Dell poniższych standardów technicznych:

- EN 55022 – „Information technology equipment – Radio Disturbance Characteristics – Limits and methods of measurement” (Sprzęt komputerowy – Charakterystyka zakłócania pracy odbiorników fal radiowych – Limity i metody pomiaru).



- EN 55024 – „Information technology equipment – Immunity characteristics – Limits and methods of measurement” (Sprzęt komputerowy – Charakterystyka odporności – Limity i metody pomiaru).
- EN 61000-3-2 – „Electromagnetic compatibility (EMC) – Part 3 (Kompatybilność elektromagnetyczna – EMC – Część 3): Limits - Section 2 (Limity - Sekcja 3): Limits for harmonic current emissions (Equipment input current up to and including 16 A per phase).” (Limity dla prądu sinusoidalnego [Urządzenia zasilane prądem wejściowym o natężeniu do 16 A na fazę])
- EN 61000-3-3 – „Electromagnetic compatibility (EMC) - Part 3 (Kompatybilność elektromagnetyczna - EMC - Część 3): Limits - Section 3 (Limity - Sekcja 3): Limitation of voltage fluctuations and flicker in low-voltage supply systems for equipment with rated current up to and including 16 A.” (Limity fluktuacji i migotania napięcia w systemach zasilających o niskim napięciu przeznaczonych do współpracy z urządzeniami zasilanymi prądem o natężeniu do 16 A)
- EN 60950 – „Safety of Information Technology Equipment” (Bezpieczeństwo sprzętu komputerowego).

**UWAGA:** Zawarte w normie EN 55022 wymagania dotyczące emisji fal radiowych przewidują podział na dwie kategorie sprzętu:

- Klasa A dla typowych środowisk komercyjnych.
- Klasa B dla typowych środowisk domowych.

**OSTRZEŻENIE O INTERFERENCJI RF: To jest produkt klasy A.**

**W środowisku domowym produkt ten może powodować zakłócenia w odbiorze fal radiowych. W takim przypadku może być konieczne podjęcie odpowiednich działań.**

Stosownie do wymogów powyższych norm sporządzono dokument z deklaracją zgodności („Declaration of Conformity”). Dokument ten dostępny jest do wglądu w firmie Dell Products Europe BV w Limerick, Irlandia.

## **Wymagania Polskiego Centrum Badań i Certyfikacji**

Urządzenie powinno być zasilane z gniazda z przyłączonym obwodem ochronnym (gniazdo z kołkiem). Współpracujące ze sobą urządzenia (komputer, monitor, drukarka) powinny być zasilane z tego samego źródła.

Instalacja elektryczna pomieszczenia powinna zawierać w przewodzie fazowym rezerwową ochronę przed zwarciami, w postaci bezpiecznika o wartości znamionowej nie większej niż 16 A (amperów).

W celu całkowitego wyłączenia urządzenia z sieci zasilania, należy wyjąć wtyczkę kabla zasilającego z gniazdka, które powinno znajdować się w pobliżu urządzenia i być łatwo dostępne.

Znak bezpieczeństwa „B” potwierdza zgodność urządzenia z wymaganiami bezpieczeństwa użytkownika zawartymi w normach PN-93/T-42107 i PN-EN 55022.

## **Wymagania Polskiego Centrum Badań i Certyfikacji**

Urządzenie powinno być zasilane z gniazda z przyłączonym obwodem ochronnym (gniazdo z kołkiem). Współpracujące ze sobą urządzenia (komputer, monitor, drukarka) powinny być zasilane z tego samego źródła.

Instalacja elektryczna pomieszczenia powinna zawierać w przewodzie fazowym rezerwową ochronę przed zwarciami, w postaci bezpiecznika o wartości znamionowej nie większej niż 16A (amperów).

W celu całkowitego wyłączenia urządzenia z sieci zasilania, należy wyjąć wtyczkę kabla zasilającego z gniazdka, które powinno znajdować się w pobliżu urządzenia i być łatwo dostępne. Znak bezpieczeństwa "B" potwierdza zgodność urządzenia z wymaganiami bezpieczeństwa użytkownika zawartymi w PN-93/T-42107 i PN-EN 55022:1996.

Jeżeli na tabliczce znamionowej umieszczono informację, że urządzenie jest klasy A, to oznacza to, że urządzenie w środowisku mieszkalnym może powodować zakłócenia radioelektryczne. W takich przypadkach można żądać od jego użytkownika zastosowania odpowiednich środków zaradczych.

## Pozostałe instrukcje bezpieczeństwa

- Nie należy używać wtyczek adapterowych lub usuwać kołka obwodu ochronnego z wtyczki. Jeżeli konieczne jest użycie przedłużacza to należy użyć przedłużacza 3-żyłowego z prawidłowo połączonym przewodem ochronnym.
- System komputerowy należy zabezpieczyć przed nagłymi, chwilowymi wzrostami lub spadkami napięcia, używając eliminatora przepięć, urządzenia dopasowującego lub bezzakłócenowego źródła zasilania.
- Należy upewnić się, aby nic nie leżało na kablach systemu komputerowego, oraz aby kable nie były umieszczone w miejscu, gdzie można byłoby na nie nadeptywać lub potykać się o nie.
- Nie należy rozlewać napojów ani innych płynów na system komputerowy.
- Nie należy wpychać żadnych przedmiotów do otworów systemu komputerowego, gdyż może to spowodować pożar lub porażenie prądem, poprzez zwarcie elementów wewnętrznych.
- System komputerowy powinien znajdować się z dala od grzejników i źródeł ciepła. Ponadto, nie należy blokować otworów wentylacyjnych. Należy unikać kładzenia luźnych papierów pod komputer oraz umieszczania komputera w ciasnym miejscu bez możliwości cyrkulacji powietrza wokół niego.

## Wyrzucanie zużytych akumulatorów

Komputer wykorzystuje akumulator litowo-jonowy i nikielowo-kadmowy. Instrukcje dotyczące wymiany akumulatora litowo-jonowego w komputerze znajdują się w sekcji dotyczącej wymiany akumulatora w dokumentacji komputera firmy Dell. Akumulator nikielowo-kadmowy jest akumulatorem o przedłużonej trwałości i jest bardzo możliwe, że nigdy nie będzie trzeba go wymieniać. Gdyby jednak zaszła taka potrzeba, procedura ta musi zostać przeprowadzona przez autoryzowanego pracownika serwisu technicznego.

Zużytego akumulatora nie należy wyrzucać wraz z innymi odpadkami. Adres najbliższego punktu oddawania akumulatorów można uzyskać w lokalnym zakładzie oczyszczania miasta.



## Zgodność z normą ENERGY STAR®

Niektóre komputery firmy Dell™ spełniają wymogi podane przez agencję Environmental Protection Agency (EPA) dotyczące komputerów optymalnie wykorzystujących energię. Jeżeli na przednim panelu komputera znajduje się symbol ENERGY STAR®, urządzenie to spełnia te wymagania i wszystkie funkcje tego komputera dotyczące zarządzania energią zgodne z normą ENERGY STAR® są włączone.

**UWAGA:** Każdy komputer firmy Dell oznaczony symbolem ENERGY STAR® posiada certyfikat zgodności z wymaganiami normy EPA ENERGY STAR® i jest skonfigurowany przed dostarczeniem przez firmę Dell. Wszelkie zmiany dokonane w tej konfiguracji (takie jak instalacja dodatkowych kart rozszerzeń lub napędów) mogą zwiększyć zużycie energii powyżej limitów ustalonych przez program EPA ENERGY STAR® dotyczący komputerów.

### Symbol ENERGY STAR®



Program ENERGY STAR® jest wspólnym przedsięwzięciem organizacji EPA i producentów sprzętu komputerowego, zmierzającym do redukcji zanieczyszczenia powietrza poprzez promowanie produktów zapewniających optymalne wykorzystanie energii. EPA ocenia, że korzystanie ze sprzętu komputerowego opatrzonego symbolem ENERGY STAR® pozwala zmniejszyć łączne koszty energii elektrycznej nawet o dwa miliardy dolarów rocznie. Z kolei redukcja zużycia energii elektrycznej prowadzi do redukcji emisji dwutlenku węgla, gazu w głównej mierze odpowiedzialnego za efekt cieplarniany i dwutlenku siarki oraz tlenków azotu, głównych powodów powstawiania kwaśnych deszczów.

Do obniżenia zużycia energii i związanych z tym efektów ubocznych można się przyczynić wyłączając komputer, gdy nie jest on używany przez dłuższy czas – w szczególności w nocy i w weekendy.

Dell™ Inspiron™ 2600 in 2650

# Priročnik z informacijami o sistemu

# Nasveti, obvestila in opozorila



**NASVET:** NASVET označuje pomembne informacije, ki vam omogočajo bolje izkoristiti računalnik.



**OBVESTILO:** OBVESTILA označujejo možnost poškodb strojne opreme ali izgubo podatkov in svetujejo, kako se izogniti težavi.



**OPOZORILO: OPOZORILA označujejo možnost poškodb lastnine, osebnih poškodb ali smrti.**

## Okrajšave in kratice

Za popoln seznam okrajšav in kratic poglejte v datoteko za pomoč *Povej mi kako*. (V operacijskemu sistemu Microsoft® Windows® XP kliknite gumb **Start** na namizju, nato **Help and Support (Pomoč in podpora)**, nato **Uporabniški in sistemski priročniki**, nato **Uporabniški priročniki** in še **Povej mi kako**. V operacijskemu sistemu Windows 2000 kliknite gumb **Start**, pokažite na **Programs**, nato **Uporabniški priročniki** in kliknite **Povej mi kako**.)

---

Informacije v tem dokumentu se lahko spremenijo brez predhodnega obvestila.

© 2001–2002 Dell Computer Corporation. Vse pravice pridržane.

Vsakršno reproduciranje brez pisnega dovoljenja družbe Dell Computer Corporation je strogo prepovedano.

Blagovne znamke, uporabljene v tem besedilu: *Dell*, logotip *DELL*, *AccessDirect*, *TrueMobile* in *Inspiron* so blagovne znamke družbe Dell Computer Corporation; *Microsoft* in *Windows* sta zaščiteni blagovni znamki družbe Microsoft Corporation; *ENERGY STAR* je zaščiten blagovna znamka ameriške agencije za zaščito okolja (EPA). Kot partner pobude ENERGY STAR je družba Dell Computer Corporation ugotovila, da ta izdelek ustreza smernicam ENERGY STAR za energetske učinkovitost.

V tem dokumentu se lahko uporabljajo tudi druge blagovne znamke in imena, ki se nanašajo na osebe, katerih last so blagovne znamke ali imena, oziroma na njihove izdelke. Družba Dell Computer Corporation zavrača vsakršno lastništvo blagovnih znamk in imen, razen tistih, ki so v njeni lasti.

# Kazalo

<b>Varnostna navodila in navodila za uporabo</b> . . . . .	<b>103</b>
Opozorilo: varnostna navodila . . . . .	103
Uporaba računalnika . . . . .	107
Ergonomska uporaba računalnika . . . . .	109
Pri odstranjevanju ali dodajanju pomnilniških modulov . . . . .	110
Zaščita pred elektrostatično razelektrivijo . . . . .	111
<b>Uvod</b> . . . . .	<b>112</b>
Priključevanje napajalnika . . . . .	112
Vklapljanje računalnika . . . . .	113
Deli računalnika . . . . .	114
Odstranjevanje akumulatorja . . . . .	116
Namestitev akumulatorja . . . . .	117
<b>Upravna obvestila</b> . . . . .	<b>117</b>
Odmetavanje akumulatorjev . . . . .	119
Skladnost z ENERGY STAR® . . . . .	119
Znak ENERGY STAR® . . . . .	119





# Varnostna navodila in navodila za uporabo



## Opozorilo: varnostna navodila

V tabeli so opisani pomeni  *dodatnih*  simbolov, ki se uporabljajo  *samo*  v »Navodilih za varnost in uporabo«.



Nevarnost eksplozije



Letalo



Nevarnost požara



Uporaba te funkcije na letalih je lahko prepovedana



Nevarnost električnega udara



## Opozorilo: splošno (varnostna navodila, *nadaljevanje* )

- Računalnika ne skušajte popraviti sami, razen če ste pooblaščen serviser. Dosledno upoštevajte navodila za namestitvev.
- Če za svoj napajalnik uporabljate podaljšek, poskrbite, da bo skupni nazivni tok vseh izdelkov, priključenih na podaljšek, manjši od nazivnega toka podaljška.



- Ne vstavljajte predmetov v prezračevalne reže in odprtine računalnika. S tem lahko povzročite kratek stik notranjih delov, posledica tega pa je nevarnost požara ali električnega udara.



- Ko z napajalnikom polnite akumulator ali napajate računalnik, ga postavite tako, da bo zagotovljeno prezračevanje, npr. na mizo poleg računalnika ali na tla. Napajalnika ne prekrivajte z listi papirja ali drugimi predmeti, ki bi lahko preprečili hlajenje; prav tako napajalnika ne uporabljajte v nosilni torbi.

- Napajalnik se lahko med običajnim delovanjem računalnika rahlo segreje. Bodite previdni, če z njim rokujete takoj po uporabi.
- Izogibajte se temu, da bi računalnik dalj časa deloval s spodnjo stranjo v neposrednem stiku z izpostavljeno kožo. Temperatura ohišja bo med normalnim delovanjem znatno narasla (zlasti če je računalnik priključen na električno omrežje). Če je spodnja stran računalnika v neposrednem stiku s kožo, lahko sčasoma pride do opeklin.



- Računalnika ne uporabljajte v mokrem okolju, na primer v vlažni kleti ali zraven kopalne kadi, umivalnika ali bazena.



- Če je v računalniku modem, med nevihtami iztaknite telefonski kabel, da se izognete sicer zelo majhni možnosti električnega udara zaradi udara strele.



- Da bi se izognili možnosti nevarnosti električnega udara, ne priključujte ali izklaplajte kablov in ne izvajajte vzdrževalnih ali konfiguracijskih posegov na izdelku med nevihtami. Ne uporabljajte računalnika med nevihto, razen če ste iztaknili vse kable in se računalnik napaja iz akumulatorja.
- Če je računalnik opremljen z modemom, priporočamo, da zanj uporabite kabel premera najmanj 26 AWG (American Wire Gauge) z modularnim priključkom RJ-11, skladnim s pravili FCC.
- Kartice PC Card lahko med delovanjem postanejo zelo tople. Pri odstranjevanju kartic PC Card, ki ste jih uporabljali dalj časa, bodite previdni.
- Preden začnete čistiti računalnik, izklopite napajanje. Računalnik očistite z mehko krpo, ki ste jo navlažili z vodo. Ne uporabljajte čistil v tekoči obliki ali v razpršilcu, katera lahko vsebujejo vnetljive snovi.



## **Opozorilo: napajanje (varnostna navodila, *nadaljevanje*)**



- Vedno uporabljajte samo napajalnik, ki ste ga dobili od Della in je odobren za uporabo s tem računalnikom. Uporaba drugečnega napajalnika lahko povzroči požar ali eksplozijo.
- Preden priključite računalnik na električno omrežje, preverite nastavitve napetosti in se prepričajte, da nastavljena napetost in frekvenca ustrezata viru napajanja.
- Če želite povsem izklopiti napajanje računalnika, ga izklopite, odstranite akumulator in iztaknite kabel napajalnika iz električnega omrežja.



- Da bi se izognili morebitnemu električnemu udaru, priključite kable napajalnika in ostalih naprav v ustrezno ozemljene vtičnice. Ti napajalni kablji so lahko opremljeni z vtičajem s tremi stiki, ki omogoča ozemljitev. Ne uporabljajte prilagojevalnih vtičačev in ne odstranjujte ozemljitvenega stika z vtičača. Če uporabljate podaljšek, uporabite ustreznega, ki bo prav tako zagotavljal ozemljitveno povezavo.
- Poskrbite, da na napajalnih kabljih ne bo ničesar in da kablji ne bodo položeni tako, da bi obstajala možnost, da kdo stopi nanje ali se spotakne čeznje.



- Če uporabljate podaljšek z več vtičnicami (razdelilnik), bodite previdni pri priključevanju kabla napajalnika. Pri nekaterih razdelilnikih lahko obstaja možnost, da kabel napačno priključite. Nepravilna vstavitev vtičača lahko trajno poškoduje računalnik in povzroči nevarnost požara in/ali električnega udara. Poskrbite, da bo vtičač vstavljen v pravilno ozemljeno vtičnico razdelilnika.



### **Opozorilo: akumulator (varnostna navodila, nadaljevanje)**



- Uporabljajte samo Dellove akumulatorje, ki so odobreni za uporabo s tem računalnikom. Uporaba drugih vrst akumulatorjev lahko povzroči nevarnost požara ali eksplozije.



- Akumulatorjev ne prenašajte v žepu, torbici ali posodi, kjer lahko kovinski deli (npr. avtomobilski ključi ali sponke) povzročijo kratek stik med stiki akumulatorja. Čezmeren tok, ki je posledica kratkega stika, lahko povzroči izjemno visoke temperature akumulatorja, ki lahko poškodujejo akumulator in povzročijo požar ali opekline.
- Nepravilno ravnanje z akumulatorjem lahko povzroči nevarnost opeklin. Akumulatorja ne razstavljajte. S poškodovanim ali puščajočim akumulatorjem ravnajte izjemno previdno. Če je akumulator poškodovan, lahko začne iz celic puščati elektrolit, ki lahko povzroči telesne poškodbe.
- Hranite akumulator zunaj dosega otrok.



- Računalnika in akumulatorja ne shranjujte in ne puščajte v bližini toplotnih virov, kot so radiatorji, kamini, štedilniki, električni grelci in drugi gospodinjski aparati, ki oddajajo toploto, ali ga drugače izpostavljajte temperaturam nad 60°C (140°F). Akumulatorske celice, ki se segrejejo na čezmerno temperaturo, lahko eksplodirajo ali puščajo in s tem povzročijo nevarnost požara.



- Akumulatorja ne zažigajte in ga ne odmetavajte skupaj z običajnimi gospodinjskimi odpadki. Akumulatorske celice lahko eksplodirajo. Akumulator odvrzite skladno z navodili proizvajalca ali pa se za navodila obrnite na svoj krajevni urad za odmetavanje odpadkov. Stare baterije čimprej zavržite.



## **Opozorilo: potovanje z letalom (varnostna navodila, nadaljevanje)**



- Določeni predpisi zvezne uprave za letalstvo ZDA (Federal Aviation Administration) in/ali predpisi posameznih letalskih prevoznikov se lahko nanašajo na uporabo računalnika Dell™ v letalu. Na primer, taki predpisi/omejitve lahko prepovedujejo uporabo vsake osebne elektronske naprave, ki ima možnost namenskega oddajanja radijskih frekvenc ali drugih elektromagnetnih signalov na letalu.



- Če je prenosni računalnik Dell opremljen z modulom Dell TrueMobile™ ali s katerokoli drugo komunikacijsko napravo, jo onemogočite, preden se vkrcate v letalo in upoštevajte navodila letalskega prevoznika, povezana s tako napravo.



- Poleg tega je lahko med določenimi kritičnimi stopnjami leta (na primer, med vzletom in pristankom) uporaba osebna elektronske naprave, kakršna je na primer osebni računalnik, prepovedana. Nekateri letalski prevozniki lahko za kritične določijo tudi vsako obdobje letenja pod 3.050 m (10.000 čevljev). Prosimo, upoštevajte navodila posameznih letalskih prevoznikov glede uporabe osebnih elektronskih naprav.

## **Uporaba računalnika**

Da bi se izognili poškodbam računalnika, upoštevajte naslednja varnostna priporočila:

- Računalnik naj bo med uporabo na ravni površini.
- Na potovanju ne pošiljajte računalnika z ostalo prtljago, temveč ga imejte pri sebi v kabini. Računalnik lahko pošljete skozi varnostni rentgen, ne smete pa ga nesti skozi detektor kovine. Poskrbite, da bo akumulator napolnjen, za primer, da boste morali vklopiti računalnik.
- Če med potovanjem trdi disk ni v računalniku, ga zavijte v material, ki ne prevaja električnega toka, kakršna sta na primer papir ali blago. Morda boste morali pri pregledu prtljage vstaviti trdi disk v računalnik. Trdi disk lahko pošljete skozi varnostni rentgen, ne smete pa ga nesti skozi detektor kovine.


- Pri potovanju računalnika ne postavljajte v prostor za shranjevanje nad sedeži, kjer bi se lahko med letom premikal. Poskrbite, da vam računalnik ne bo padel na tla in da ne bo izpostavljen drugim mehanskim obremenitvam.
- Računalnik, akumulator in trdi disk zaščitite pred nevarnostmi iz okolja, kot so na primer umazanija, prah, hrana, tekočine, čezmerne temperature in izpostavljanje sončni svetlobi.
- Če računalnik selite med okolji z zelo različnimi obsegi temperatur in/ali vlage, se lahko na računalniku ali v njem ustvari kondenzat. Da bi preprečili poškodbe računalnika, pred uporabo računalnika počakajte, da kondenzat izhlapi.



**OBVESTILO:** Če računalnik selite iz hladnejšega v toplejše okolje ali obratno, preden vklopite računalnik počakajte, da se njegova notranja temperatura prilagodi sobni.

- Ko iztaknete kabel, ne vlecite kabla samega, temveč priključek na njem. Ko izvlečete priključek, poskrbite, da bo poravnana, da se njegovi stiki ne poškodujejo ali zvijejo. Tudi preden priključite kabel, poskrbite, da bodo priključki na obeh straneh pravilno obrnjeni in poravnani.
- Z vsemi deli računalnika ravnajte previdno. Dele, kot so pomnilniški moduli, ne prijemajte za stike, temveč na robovih.
- Da bi preprečili možnost poškodb systemske plošče pri odstranjevanju pomnilniškega modula s systemske plošče ali odklapanju dodatne naprave z računalnika, izklopite računalnik in počakajte pet sekund, preden začnete odstranjevati modul ali odklapljati opremo.
- Zaslona očistite z mehko, čisto krpo in s sredstvom za čiščenje stekel, ki ne vsebuje voska ali abrazijskih sredstev. Čistilo nanesite na krpo in obrišite zaslon s kratkimi gibi v eno smer, od vrha zaslona navzdol. Če so na zaslonu maščobe ali druga umazanija, namesto sredstva za čiščenje stekel uporabite izopropilni alkohol.
- Če se računalnik zmoči ali poškoduje, upoštevajte nasvete v razdelku »Reševanje težav« v *Uporabniškem priročniku*. Če po izvedbi teh postopkov ugotovite, da računalnik ne deluje pravilno, se obrnite na Dell (ustrezne informacije za stik najdete v razdelku »Stik z Dellom« v *Uporabniškem priročniku*).

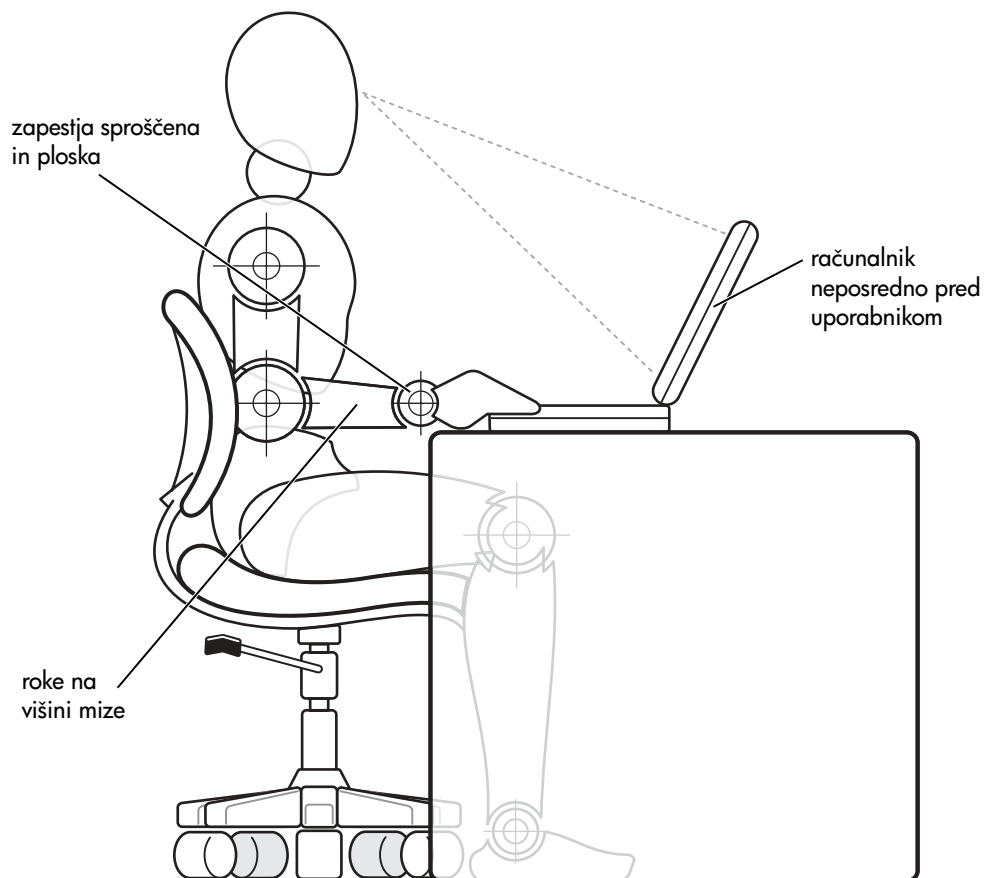
## Ergonomska uporaba računalnika

 **OPOZORILO: Nepravilna ali dolgotrajna uporaba tipkovnice lahko povzroči poškodbe.**

 **OPOZORILO: Dolgotrajna uporaba računalnikovega zaslona ali zunanje monitorje lahko prav tako povzroči obremenjenost oči.**

Za večje udobje in učinkovitost pri delu z računalnikom upoštevajte te ergonomske nasvete za namestitvev in delo z računalnikom:

- Pri delu postavite računalnik neposredno pred sebe.
- Nastavite naklon zaslona, njegov kontrast in/ali svetlost ter osvetlitev prostora, v katerem ste, (na primer stropne in namizne luči ter zavese in žaluzije na bližnjih oknih), tako da bo na zaslonu čim manj odsevov.
- Če z računalnikom uporabljate zunanji monitor, ga postavite na ustrezno razdaljo (običajno od 510 do 610 mm od oči). Ko sedite pred monitorjem, poskrbite, da bo njegov zaslon v višini oči ali celo rahlo nižje.
- Uporabite stol, ki pravilno podpira spodnji del hrbtenice.
- Pri uporabi tipkovnice, sledilne ploščice, sledilne palice ali zunanje miške imejte podlakti v isti ravni kot zapestja, v nevtralnem, udobnem položaju.
- S tipkovnico, sledilno ploščico ali sledilno palico vedno uporabljajte naslonjalo za dlani. Pri uporabi zunanje miške poskrbite, da boste imeli dovolj prostora za roke.
- Zgornji del rok naj ohlapno visi ob telesu.
- Sedite pokončno, noge imejte na tleh in stegna v isti ravni.
- Pri sedenju poskrbite, da bo teža vaših nog na stopalih in ne na sprednjem delu sedeža. Ustrezno prilagodite višino stola in po potrebi uporabite naslonjalo za noge, da obdržite pravilno držo.
- Delo si organizirajte tako, da bo raznoliko. Skušajte se izogniti dolgotrajnemu tipkanju. Ko nehate tipkati, počnite stvari, ki zahtevajo obe roki.



### Pri odstranjevanju ali dodajanju pomnilniških modulov

Pred odstranjevanjem ali nameščanjem pomnilniških modulov izvedite naslednje korake v označenem zaporedju.



**OBVESTILO:** Da bi preprečili možnost poškodb sistemske plošče pri odstranjevanju pomnilniškega modula s sistemske plošče ali odklapanju dodatne naprave z računalnika, izklopite računalnik in počakajte pet sekund, preden začnete odstranjevati modul ali odklapljati opremo.



- 1 Izklopite računalnik in vse priključene dodatne naprave.
- 2 Izklopite računalnik in vse dodatne naprave iz električnih vtičnic, da zmanjšate možnost osebnih poškodb ali električnega udara. Iztaknite tudi vse telefonske ali telekomunikacijske vode, povezane z računalnikom.
- 3 Odstranite glavni akumulator iz ležišča za akumulator in, če je potrebno, sekundarni akumulator iz ležišča za module.
- 4 Razelektrite se z dotikom nepobarvane kovinske površine na hrbtni strani računalnika.

Medtem ko delate, se občasno razelektrite na enak način, da se izognete morebitnim poškodbam notranjih delov računalnika.

V Dellovi dokumentaciji se lahko vseskozi pojavlja to opozorilo, ki vas bo opominjalo na te varnostne ukrepe:



**OBVESTILO:** Glejte tudi razdelek »Zaščita pred elektrostatično razelektritvijo« v priložniku *Informacije o sistemu*.

## Zaščita pred elektrostatično razelektritvijo

Elektrostatična razelektritev lahko povzroči poškodbe elektronskih delov v računalniku. Da bi preprečili take poškodbe, se razelektrite, preden začnete ravnati z elektronskimi deli računalnika, kakršni so na primer pomnilniški moduli. To lahko storite tako, da se dotaknete nepobarvane kovinske površine na hrbtni strani računalnika.

Medtem ko delate, se občasno razelektrite na enak način, da se izognete morebitnim poškodbam notranjih delov računalnika zaradi elektrostatičnega naboja, ki se sčasoma nabere v telesu.

Za boljšo zaščito pred elektrostatično razelektritvijo upoštevajte še te nasvete:

- Pri odpakiranju dela, ki je občutljiv za statično elektriko, ga iz antistatične embalaže ne odstranjujte, dokler niste pripravljeni, da ga namestite. Tik preden odvijete antistatični ovoj, se razelektrite, kot je opisano zgoraj.
- Pri prenašanju občutljivih delov jih najprej vstavite v antistatično posodo ali embalažo.
- Vse dele, občutljive za statično elektriko, hranite v prostoru, ki je varen pred elektrostatično razelektritvijo. Če je le možno, uporabljajte antistatične talne obloge in obloge za delovno mizo.

## Uvod

Namestitev računalnika:

- 1 Odprite škatlo z dodatno opremo.
- 2 Vsebino škatle postavite na stran; potrebovali jo boste, da dokončate namestitev računalnika.

Škatla z dodatno opremo vsebuje tudi uporabniško dokumentacijo in vso programsko opremo in dodatno strojno opremo (npr. kartice PC Card, pogone ali akumulatorje), ki ste jo naročili.

## Priključevanje napajalnika



## Vklapljanje računalnika

Računalnik vklopite tako, da odprete njegov zaslon in pritisnete gumb za napajanje.

gumb za  
napajanje



### **NASVET:**

Naprav z vodilom USB, kot je tiskalnik ali naprava za razširjanje vrat, ne priključujte, dokler računalnika vsaj enkrat ne vklopite in znova zaustavite.

## Deli računalnika

### Pogled od spredaj

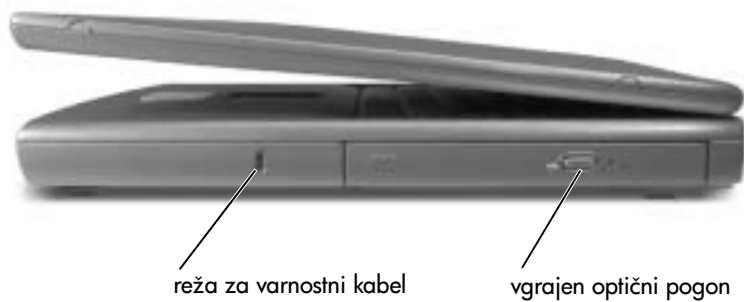
**⚠ OPOZORILO:** Ne prekrivajte prezračevalnih rež in vanje ne potiskajte predmetov; poskrbite, da se reže ne zamašijo zaradi praha sicer lahko pride do poškodb računalnika ali nevarnosti požara.



### Pogled z leve strani



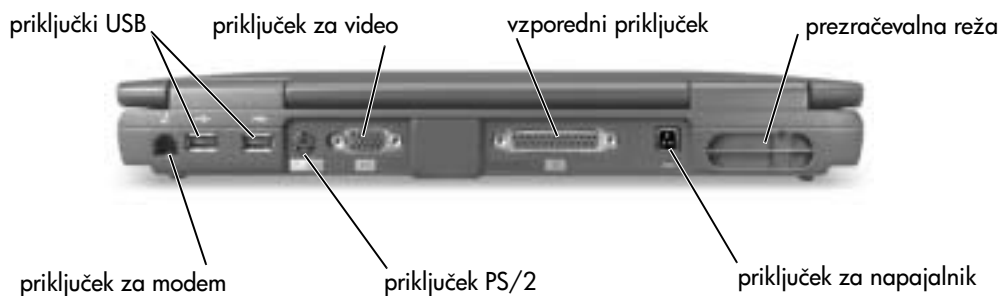
### Pogled z desne strani



### Pogled s hrbtne strani

**OBVESTILO:** Da bi se izognili poškodbam strojne opreme, izklopite računalnik in počakajte pet sekund, preden iztaknete kable zunanje naprave.

**OPOZORILO:** Ne prekrivajte prezračevalnih rež in vanje ne potiskajte predmetov; poskrbite, da se reže ne zamašijo zaradi praha sicer lahko pride do poškodb računalnika ali nevarnosti požara.

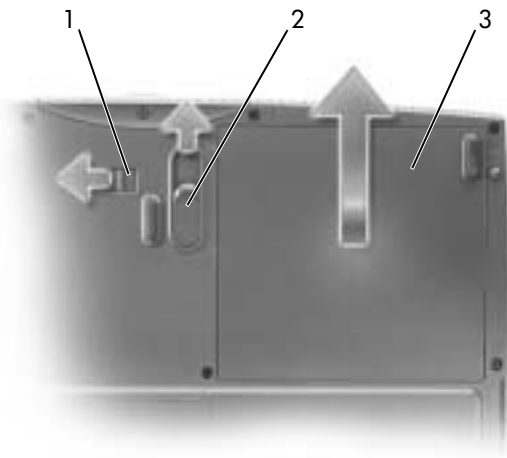


### Odstranjevanje akumulatorja

**OBVESTILO:** Če želite akumulator zamenjati, ko je računalnik v načinučasne zaustavitve, imate za varno izvedbo zamenjave samo 4 minute, preden se računalnik zaustavi in izgubite neshranjene podatke.

Preden odstranite akumulator, se prepričajte, da je računalnik izklopljen ali, da je napajalni kabel iztaknjen iz zidne vtičnice.

- 1 Odklenite akumulator.
- 2 Potisnite in zadržite zaklep akumulatorja.
- 3 Odstranite akumulator.



## Namestitev akumulatorja

- 1 Poskrbite, da bo zaklep akumulatorja v odklenjenem položaju.
- 2 Potisnite akumulator v ležišče, dokler se zatič ne zaskoči v pravičen položaj.
- 3 Zaklenite akumulator.

## Upravna obvestila

Elektromagnetne motnje so vsak signal ali žarčenje, ki se oddaja v prostor ali prevaja po napajalnih ali signalnih vodih, in ogroža delovanje naprav za radijsko navigacijo ali druge varnostne storitve oziroma oslabi, moti ali večkrat prekine licencirane radijske komunikacijske storitve. Radijske komunikacijske storitve med drugim obsegajo komercialne oddaje na področjih AM/FM, televizijo, celične telefonske storitve, radar, nadzor letenja, pozivnike in storitve PCS (Personal Communication Services). Te licencirane storitve skupaj z nenamernimi viri sevanja, kot so digitalne naprave, vključno z računalniki, predstavljajo elektromagnetno okolje.

Elektromagnetna združljivost (EMC – Electromagnetic Compatibility) je zmožnost elektronskih naprav, da nemoteno skupaj delujejo v elektromagnetnem okolju. Kljub temu, da je bil ta računalnik razvit in preskušen, tako da deluje skladno z omejitvami za elektromagnetne motnje, ki jih določajo upravni organ, ni nobenega jamstva, da v določeni namestitvi ne bo prišlo do motenj. Če ugotovite, da naprava povzroča škodljive motnje radijskih komunikacijskih storitev (to storite tako, da napravo izklopite in znova vklopite), priporočamo, da jih skušate odpraviti z enim ali več od ukrepov, navedenih spodaj:

- Spremenite položaj sprejemne antene.
- Spremenite položaj računalnika glede na sprejemnik.
- Premaknite računalnik proč od sprejemnika.
- Priključite računalnik in sprejemnik na različne vtičnice, tako da bosta v različnih tokokrogih.

Če je potrebno, se za dodatne nasvete obrnite na Dellovega tehnika za podporo ali na izkušenega radijskega/televizijskega serviserja.

Računalniki Dell so razviti, preskušeni in razvrščeni glede na ciljno elektromagnetno okolje. Te razvrstitve po elektromagnetnih okoljih se v splošnem nanašajo na naslednje usklajene definicije:

- Razred A je običajno za poslovna in industrijska okolja.
- Razred B je običajno za stanovanjska okolja.

Računalniška oprema, vključno z napravami, razširitvenimi karticami, tiskalniki, vhodno/izhodnimi napravami, monitorji itd., ki so integrirane v računalnik ali priključene nanj, morajo ustrezati računalnikovi razvrstitvi po okolju.

**Obvestilo o oklopljenih signalnih kablji:** Da bi se izognili motnjam radijskih komunikacijskih storitev, uporabite oklopljene signalne kable za priključevanje drugih naprav na kakršno koli napravo Dell. Uporaba oklopljenih signalnih kablov zagotavlja ustrezno stopnjo dušenja motenj za zeleno okolje. Za vzporedne tiskalnike lahko pri Dellu posebej naročite kabel. Kabel lahko naročite tudi na spletnem mestu družbe Dell na naslovu [accessories.us.dell.com/sna/segmenter/asp](http://accessories.us.dell.com/sna/segmenter/asp).



## Odmetavanje akumulatorjev

Računalnik uporablja akumulator z litijevimi ioni in rezervni nikelj kadmijev akumulator. Navodila za zamenjavo akumulatorja z litijevimi ioni najdete v razdelku o zamenjavi akumulatorja v Dellovi dokumentaciji. Nikelj kadmijev akumulator ima zelo dolgo življenjsko dobo zato ga najverjetneje ne bo treba nikoli zamenjati. V primeru, da bi to kljub vsemu morali storiti, mora postopek izvesti pooblaščen serviser.



Akumulatorja ne odmetavajte skupaj z gospodinjskimi odpadki. Za naslov najbližjega mesta za odmetavanje starih akumulatorjev se obrnite se na svoj krajevni urad za odmetavanje odpadkov.

## Skladnost z ENERGY STAR®

Določene konfiguracije računalnikov Dell™ so skladne z zahtevami, ki jih je določila EPA za energetske učinkovite računalnike. Če je na sprednji plošči računalnika nalepka z znakom ENERGY STAR®, je njegova izvirna konfiguracija skladna s temi zahtevami in omogočene so vse funkcije za upravljanje porabe ENERGY STAR®.

**OPOMBA:** Vsak računalnik Dell z znakom ENERGY STAR® je potrjeno skladen z zahtevami EPA ENERGY STAR®, če je v tovarniški konfiguraciji. Vse spremembe te konfiguracije (namestitve dodatnih razširitvenih kartic ali pogonov, na primer) lahko povečajo porabo energije računalnika zunaj meja, ki jih določa program agencije EPA ENERGY STAR® Computers.

## Znak ENERGY STAR®



Program ENERGY STAR® Computers je skupna pobuda agencije EPA in proizvajalcev računalnikov, katere namen je zmanjšanje onesnaženja zraka s spodbujanjem proizvodnje energetske učinkovitih računalniških izdelkov. EPA ocenjuje, da lahko uporaba računalniških izdelkov, skladnih z zahtevami pobude ENERGY STAR®, prihrani uporabnikom do dve milijardi dolarjev letno v stroških za elektriko. Zmanjšanje porabe elektrike pomeni zmanjšanje emisij ogljikovega dioksida, plina, ki je največji povzročitelj učinka tople grede, ter žvepovega dioksida in dušikovih oksidov, ki so glavni povzročitelji kislega dežja.

K zmanjšanju porabe energije lahko prispevate tudi z izklapljanjem računalnika, kadar ga dalj časa ne uporabljate, zlasti ponoči in čez vikende.



Dell™ Inspiron™ 2600 и 2650

# Руководство по системе



## Советы, замечания и предупреждения



**СОВЕТ.** Содержит важную информацию, которая поможет использовать компьютер более эффективно.



**ЗАМЕЧАНИЕ.** Указывает на возможность повреждения оборудования или потери данных и объясняет, как этого не допустить.



**ПРЕДУПРЕЖДЕНИЕ.** Указывает на потенциальную опасность повреждения, получения легких травм или угрозу для жизни.

## Сокращения и аббревиатуры

Полный список сокращений и аббревиатур см. в файле справки *Как выполнить задачу*. (В операционной системе Microsoft® Windows® XP нажмите на рабочем столе Windows кнопку **Start** (Пуск), выберите пункт **Help and Support** (Справка и поддержка), затем выберите пункты **User and system guides** (Руководство пользователя и руководство по системе), **User's guides** (Руководства пользователя) и **Tell Me How** (Как выполнить задачу). В Windows 2000 нажмите кнопку **Start** (Пуск), выберите пункт **Programs** (Программы), пункт **User's Guides** (Руководство пользователя) и щелкните **Tell Me How** (Как выполнить задачу).

---

**Информация в этом документе может быть изменена без предварительного уведомления.**  
© Корпорация Dell Computer Corporation, 2001-2002. Все права защищены.

Воспроизведение материалов данного руководства в любой форме без письменного разрешения корпорации Dell Computer Corporation строго запрещено.

Товарные знаки, использованные в этом документе: *Dell*, логотип *DELL*, *AccessDirect*, *TrueMobile* и *Inspiron* являются товарными знаками корпорации Dell Computer Corporation; *Microsoft* и *Windows* – зарегистрированными товарными знаками корпорации Microsoft Corporation. *ENERGY STAR* является зарегистрированным товарным знаком Управления по охране окружающей среды США (U.S. Environmental Protection Agency). Как партнер международной ассоциации ENERGY STAR корпорация Dell Computer Corporation заявляет, что по эффективности использования энергии данный продукт соответствует стандартам ENERGY STAR.

Остальные товарные знаки и названия продуктов могут использоваться в этом руководстве для обозначения фирм, заявляющих права на товарные знаки и названия, или продуктов этих фирм. Корпорация Dell Computer Corporation не заявляет прав ни на какие товарные знаки и названия, кроме собственных.

# Содержание

Инструкции по технике безопасности и эксплуатации . . . . .	125
Предупреждение. Инструкции по технике безопасности . . . . .	125
Меры предосторожности при работе с компьютером . . . . .	130
Полезные навыки при работе на компьютере . . . . .	131
Установка и удаление модулей памяти . . . . .	133
Защита от электростатического разряда . . . . .	134
Начало работы . . . . .	135
Подключение адаптера переменного тока . . . . .	135
Включение компьютера . . . . .	136
Компоненты компьютера . . . . .	137
Удаление аккумуляторной батареи . . . . .	139
Установка аккумуляторной батареи . . . . .	140
Законодательство и стандарты . . . . .	140
Утилизация аккумуляторных батарей . . . . .	142
Совместимость со стандартом ENERGY STAR® . . . . .	142
Эмблема ENERGY STAR® . . . . .	143



# Инструкции по технике безопасности и эксплуатации



## Предупреждение. Инструкции по технике безопасности

Далее приведено описание *дополнительных* символов, используемых *только* в инструкциях по технике безопасности и эксплуатации.



Взрывоопасно



Перевозка воздушным транспортом



Огнеопасно



Использование этой возможности в самолете может быть запрещено



Опасность поражения электрическим током



## Предупреждение. Общие (инструкции по технике безопасности, *продолжение*)

- Не пытайтесь производить текущий ремонт и обслуживание компьютера самостоятельно, если вы не являетесь сертифицированным специалистом службы технической поддержки. Всегда точно следуйте инструкциям по установке.
- Если адаптер переменного тока подключается через удлинитель, то суммарный ток всех устройств, подключенных к удлинителю, не должен превышать максимально допустимый ток для удлинителя.
- Не вставляйте никаких предметов в вентиляционные и другие отверстия компьютера. Это может вызвать короткое замыкание внутренних компонентов и, как следствие, привести к пожару или поражению электрическим током.





- Если для работы компьютера или подзарядки батареи используется адаптер переменного тока, он должен находиться на открытом месте, например на столе или на полу. Не накрывайте адаптер переменного тока газетами или другими предметами, препятствующими охлаждению, и не используйте, когда он находится в сумке для перевозки.
- Адаптер переменного тока во время обычной работы компьютера может сильно нагреваться. Будьте осторожны, если берете адаптер в руки во время или сразу после работы.
- При длительной работе с компьютером не держите его на открытых участках тела. Во время нормальной работы корпус компьютера нагревается (особенно при питании от электросети). Длительное соприкосновение компьютера с кожей может вызвать неприятное ощущение и даже ожог.



- Не пользуйтесь компьютером в помещениях с высокой влажностью, например вблизи ванных комнат, плавательных бассейнов или в сырых подвальных помещениях.



- Если в компьютере есть встроенный или дополнительный модем (PC Card), при приближении грозы отсоединяйте модемный кабель во избежание поражения электрическим током от молнии через телефонную линию.



- Во избежание поражения электрическим током не производите соединение кабелей, обслуживание или перенастройку компьютера во время грозы. В это время работать с компьютером можно только при условии, что все кабели отсоединены и компьютер питается от батареи.
- Если в компьютере есть модем, его кабель должен быть изготовлен из провода диаметром не менее 0,4 мм (26 AWG) и иметь модульный разъем RJ-11, соответствующий стандартам Федеральной комиссии по коммуникациям США (FCC).



- Платы PC Card при обычной работе могут сильно нагреваться. Будьте осторожны, вынимая плату PC Card после продолжительной работы.
- Перед чисткой компьютера необходимо выключить питание. Чистить компьютер следует мягкой влажной тканью. Не используйте жидкие и аэрозольные очистители, которые могут содержать огнеопасные вещества.



**Предупреждение. Электропитание (инструкции по технике безопасности, *продолжение*)**



- Пользуйтесь только адаптером переменного тока, поставляемым для этого компьютера корпорацией Dell. Использование других адаптеров может привести к пожару или взрыву.
- Прежде чем подключать компьютер к электросети, проверьте, соответствуют ли указанные на адаптере напряжение и частота параметрам сети.
- Чтобы обесточить компьютер, выключите его, выньте аккумуляторную батарею и отключите адаптер переменного тока от сети.



- Во избежание поражения электрическим током подключайте адаптер переменного тока и кабели питания периферийных устройств к правильно заземленным источникам питания. Эти кабели питания могут быть оснащены трехконтактными вилками, обеспечивающими надежное заземление. Не пользуйтесь переходниками и не удаляйте заземляющий контакт из вилки. При необходимости используйте для подключения к кабелю адаптера двух- или трехконтактный удлинитель.
- Не кладите никаких предметов на кабель питания адаптера и держите его в таком месте, где на него нельзя наступить или задеть ногой.



- Если используется удлинитель на несколько розеток, будьте внимательны при подключении кабеля адаптера. В некоторые удлинители можно вставить вилку неправильно. Это может привести к повреждению компьютера, а также к поражению электрическим током или пожару. Убедитесь, что заземляющий контакт разъема питания попадает в заземленный контакт розетки удлинителя.



**Предупреждение. Аккумуляторные батареи (инструкции по технике безопасности, продолжение)**



- Пользуйтесь только аккумуляторными батареями Dell, которые одобрены для применения с этим компьютером. Использование батарей других типов может привести к пожару или взрыву.



- Не носите аккумуляторные батареи в кармане, сумке и других местах, где металлические предметы (например ключи от машины) могут замкнуть контакты. Возникающий в этом случае избыточный ток может вызвать перегрев батареи и привести к пожару или ожогам.

- При неправильном обращении с батареями можно получить ожог. Не разбирайте их. Будьте особенно осторожны с поврежденной или протекающей батареей. Если батарея повреждена, электролит может вытечь и нанести вред здоровью.

- Храните батарею в недоступном для детей месте.



- Не храните и не оставляйте компьютер и батареи вблизи источников тепла, таких как радиатор, камин, кухонная плита, электронагреватели и т.д., а также не подвергайте батареи воздействию температур более 60° C (140° F). От перегрева батареи могут взорваться или протечь, что создает опасность возгорания.



- Не выбрасывайте аккумуляторные батареи вместе с обычными домашними отходами и не бросайте в огонь. Батареи могут взорваться. Избавляйтесь от старых батарей в соответствии с инструкциями изготовителя или обращайтесь в местную организацию по уничтожению отходов. Правильно утилизируйте старые и поврежденные батареи.



**Предупреждение. Перевозка воздушным транспортом (инструкции по технике безопасности, продолжение)**



- На использование компьютера Dell™ в самолете могут распространяться некоторые правила и ограничения, принятые Федеральным управлением авиации США (Federal Aviation Administration). Например, во время полетов может быть запрещено пользоваться персональными электронными устройствами (PED), излучающими радиосигналы на международных частотах или другие электромагнитные сигналы.



- Если портативный компьютер Dell оснащен устройством Dell TrueMobile™ или другим беспроводным устройством связи, отключайте это устройство перед полетом и следуйте всем инструкциям экипажа самолета относительно таких устройств.



- Кроме того, на некоторых этапах полета, например при взлете и посадке, может быть запрещено пользоваться персональными электронными устройствами, такими как портативный компьютер. Некоторые авиакомпании считают критическими и другие этапы полета, например полет на высоте ниже 3050 м (10 тыс. футов). Соблюдайте специальные инструкции авиакомпании по использованию персональных электронных устройств.

## Меры предосторожности при работе с компьютером

Во избежание повреждения компьютера соблюдайте следующие правила.


- Перед включением компьютера поставьте его на ровную поверхность.
- Во время поездок не подвергайте компьютер обычной процедуре проверки багажа. Компьютер можно проверять на рентгеновской установке, но никогда не пропускайте его через металлодетектор. Если компьютер проверяется вручную, всегда имейте под рукой заряженную аккумуляторную батарею на случай, если вас попросят включить компьютер.
- Если вы перевозите жесткий диск отдельно от компьютера, заверните его в непроводящий материал, например ткань или бумагу. Если жесткий диск проверяется вручную, будьте готовы к тому, что вас попросят установить его в компьютер. Жесткий диск можно проверять на рентгеновской установке, но никогда не пропускайте его через металлодетектор.
- Во время поездок не кладите компьютер на верхние полки для багажа, где компьютер может свободно перемещаться. Не роняйте компьютер и предохраняйте его от ударов.
- Защищайте компьютер, аккумуляторную батарею и жесткий диск от воздействия таких факторов окружающей среды, как пыль, грязь, продукты питания, жидкости, перегрев и переохлаждение, а также от прямых солнечных лучей.
- При изменении условий хранения компьютера, которые сопровождаются резким перепадом температуры и влажности, на компьютере или его внутренних компонентах может образоваться конденсат. Прежде чем начать работать с компьютером, дайте влаге испариться. Это поможет избежать выхода компьютера из строя.




**ЗАМЕЧАНИЕ.** При переносе компьютера из холодной среды в более теплую или наоборот дайте устройству адаптироваться к новым температурным условиям, прежде чем включать питание.

- При отключении кабеля от сети беритесь за вилку или специальную петлю на вилке. Не тяните за кабель. Разъединяя разъемы, держите их прямо, чтобы не погнуть контакты. Аналогично, перед подключением кабеля убедитесь в правильной ориентации и соответствии частей разъемов.
- При работе с компонентами компьютера соблюдайте осторожность. Держите компоненты (например модули памяти) за края, не дотрагиваясь до контактов.
- Прежде чем вынимать модуль памяти из разъема на системной плате или отключать периферийное устройство, выключите компьютер, отсоедините кабель адаптера переменного тока и подождите 5 секунд. Иначе можно повредить системную плату.
- Для протирки дисплея используйте мягкую ткань и бытовой стеклоочиститель, не содержащий воска и абразивных материалов. Нанесите стеклоочиститель на ткань и протрите дисплей, всегда перемещая ткань в одном направлении – сверху вниз. Если на дисплей попало жирное или иное загрязняющее вещество, вместо стеклоочистителя применяйте изопропиловый спирт.
- При попадании влаги в компьютер и других неполадках используйте процедуры, описанные в разделе "Устранение неисправностей" *Руководства пользователя*. Если после выполнения указанных процедур выяснится, что компьютер работает неправильно, обратитесь в корпорацию Dell (см. телефоны в разделе "Получение справки" *Руководства пользователя*).

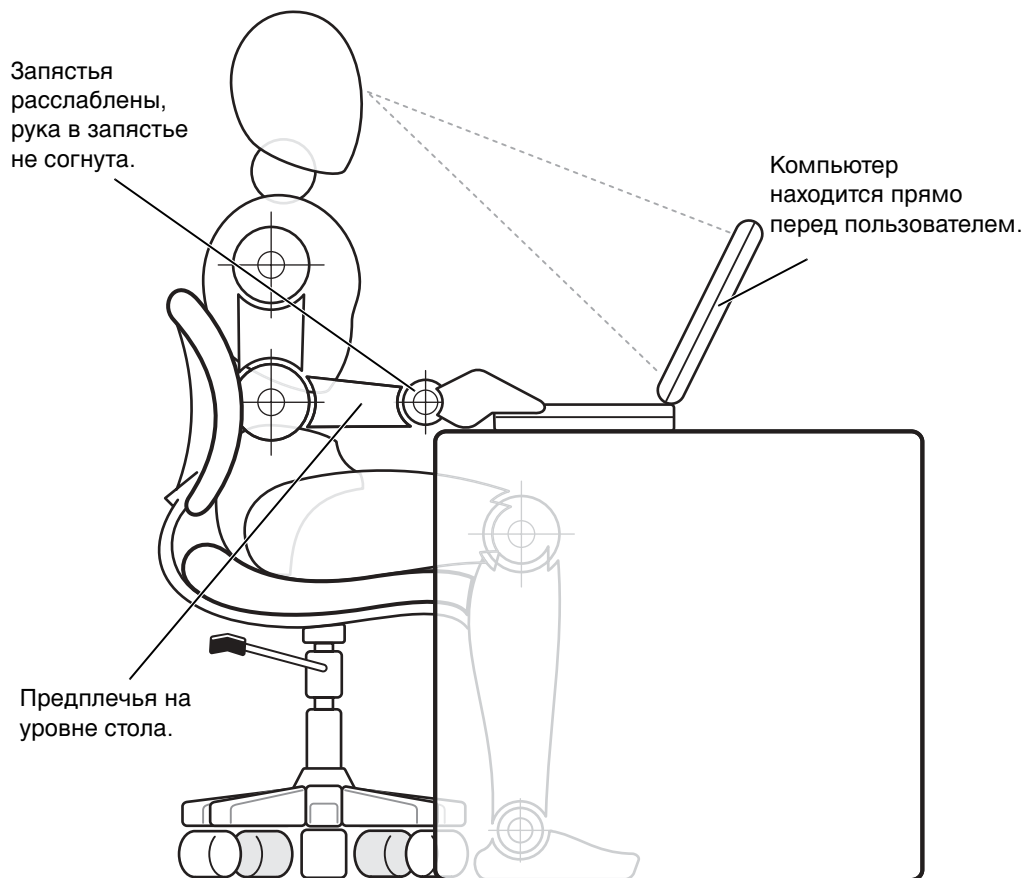
## Полезные навыки при работе на компьютере

 **ПРЕДУПРЕЖДЕНИЕ.** Неправильная или продолжительная работа с клавиатурой может привести к заболеванию.

 **ПРЕДУПРЕЖДЕНИЕ.** Длительная работа за дисплеем или внешним монитором может вызвать переутомление глаз.

Для более удобной и производительной работы соблюдайте при установке и использовании компьютера следующие правила эргономики.

- Во время работы компьютер должен находиться прямо перед вами.
- Чтобы максимально уменьшить отражение и блики на дисплее, отрегулируйте его наклон, контрастность и яркость, а также внешнее освещение (верхний свет, настольные лампы, шторы или жалюзи на ближайших окнах).
- Если используется внешний монитор, он должен находиться на расстоянии, удобном для глаз (обычно 510–610 мм, или 20–24 дюйма). Когда вы сидите перед монитором, его экран должен быть на уровне глаз или чуть ниже.
- Используйте стул со спинкой, обеспечивающей хорошую опору для нижней части спины.
- При работе с клавиатурой, тач-пэдом, трекстиком или внешней мышью держите предплечья горизонтально, а запястья в удобном свободном положении.
- При работе с клавиатурой, тач-пэдом или трекстиком всегда пользуйтесь подставкой для рук. Если вы пользуетесь внешней мышью, оставьте на столе место, чтобы руки лежали удобно.
- Не напрягайте плечи, руки должны располагаться по бокам свободно и естественно.
- Сидите прямо, поставив ноги на пол так, чтобы бедра были в горизонтальном положении.
- Когда вы сидите, вес ног должен приходиться на ступни, а не на край стула. Чтобы сохранить правильную осанку, отрегулируйте высоту стула и, если нужно, используйте подставку для ног.
- Меняйте виды деятельности. По возможности организуйте работу так, чтобы вам не приходилось печатать подолгу. Во время перерывов в работе с клавиатурой старайтесь заниматься делами, требующими работы обеих рук.



## Установка и удаление модулей памяти

Прежде чем удалять или устанавливать модули памяти, выполните следующие действия.

- ЗАМЕЧАНИЕ.** Прежде чем отсоединять устройство или вынимать модуль памяти, выключите компьютер и подождите 5 секунд. Иначе можно повредить системную плату.

- 1 Выключите компьютер и отсоедините все периферийные устройства.
- 2 Во избежание несчастного случая или удара электрическим током отключите компьютер и все периферийные устройства от электросети. Также отключите от компьютера все телефонные и телекоммуникационные линии.
- 3 Выньте основную батарею из аккумуляторного отсека и, если нужно, вторую батарею из модульного отсека.
- 4 Избавьтесь от статического электричества, прикоснувшись к неокрашенной металлической поверхности панели ввода-вывода на задней стороне компьютера.

При работе периодически прикасайтесь к панели ввода-вывода, чтобы снять статическое электричество, которое может повредить внутренние компоненты компьютера.

Документация Dell может содержать следующее напоминание об этих мерах предосторожности:



**ЗАМЕЧАНИЕ.** См. раздел "Защита от электростатического разряда" в *Руководстве по системе*.

## Защита от электростатического разряда

Статическое электричество может повредить внутренние электронные компоненты компьютера. Во избежание этого снимайте с себя статическое электричество, прежде чем дотрагиваться до любого электронного компонента компьютера, например модуля памяти. Это можно сделать, прикоснувшись к неокрашенной металлической поверхности на панели ввода-вывода компьютера.

При работе внутри компьютера периодически касайтесь разъемов ввода-вывода, чтобы снять с себя накопленный электростатический заряд.

Во избежание повреждения оборудования электростатическим разрядом можно также принять следующие меры безопасности.

- Вынимая из упаковочной коробки компоненты, чувствительные к статическому электричеству, не снимайте с них антистатическую упаковку до тех пор, пока не будете готовы установить эти компоненты. Прежде чем удалять антистатическую упаковку, не забудьте снять с себя статическое электричество.



- При перевозке компонентов, чувствительных к статическому электричеству, сначала поместите их в антистатический контейнер или упаковку.
- Выполняйте любую работу с чувствительными компонентами только в местах, защищенных от статического электричества. По возможности используйте специальные напольные и настольные антистатические коврики.

## Начало работы

### Установка компьютера

- 1 Распакуйте коробку с принадлежностями.
- 2 Отложите в сторону те принадлежности, которые не понадобятся для завершения установки.

В коробке с принадлежностями находится документация пользователя, а также все заказанное вами программное обеспечение и дополнительные компоненты (платы PC Card, дисководы, аккумуляторные батареи и т.п.).

### Подключение адаптера переменного тока



## Включение компьютера

Чтобы включить компьютер, откройте крышку дисплея и нажмите кнопку включения.



### СОВЕТ.


Не подключайте к компьютеру USB-устройства, например принтер или повторитель порта, пока хотя бы один раз не включите и не выключите компьютер.

Кнопка  
включения



## Компоненты компьютера

### Вид спереди

 **ПРЕДУПРЕЖДЕНИЕ.** Не закрывайте воздухозаборник, не вставляйте в него предметы и следите, чтобы в нем не накапливалась пыль. Это может повредить компьютер или привести к пожару.



### Вид слева



### Вид справа



## Вид сзади

**ЗАМЕЧАНИЕ.** Чтобы избежать повреждения компьютера, отсоединяйте внешнее устройство через 5 секунд после выключения компьютера.

**ПРЕДУПРЕЖДЕНИЕ.** Не закрывайте воздухозаборник, не вставляйте в него предметы и следите, чтобы в нем не накапливалась пыль. Это может повредить компьютер или привести к пожару.

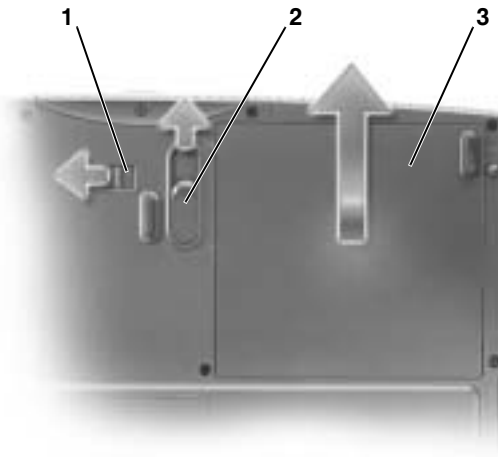


## Удаление аккумуляторной батареи

**ЗАМЕЧАНИЕ.** Если вы меняете аккумуляторную батарею в компьютере, который находится в режиме ожидания Standby, в вашем распоряжении не более 4 минут, иначе компьютер выключится, и несохраненные данные будут потеряны.

Перед удалением батареи убедитесь, что компьютер выключен или отключен от электросети.

- 1 Передвиньте защелку батареи в позицию "Открыть".
- 2 Отодвиньте и держите защелку без фиксации для батареи.
- 3 Выньте аккумуляторную батарею.



### Установка аккумуляторной батареи

- 1 Убедитесь, что защелка батареи находится в открытом положении.
- 2 Продвигайте батарею в отсек, пока не услышите щелчок.
- 3 Передвиньте защелку батареи в позицию "Закрыть".

## Законодательство и стандарты

Электромагнитные помехи (Electromagnetic Interference – EMI) – это любое излучение или сигналы, излучаемые в свободном пространстве, а также вдоль силовых или сигнальных кабелей. Они угрожают работе радионавигационных приборов и других служб безопасности, а также значительно ухудшают, затрудняют или периодически прерывают работу лицензированной службы радиосвязи. Службы радиосвязи включают, в частности, коммерческое радиовещание в диапазоне AM/FM, телевидение, сотовую связь, радиолокационные установки, авиадиспетчерские службы, пейджинговые службы и службы персональной связи (Personal Communication Services – PCS). Эти лицензированные службы и источники непреднамеренного излучения, например цифровые устройства (включая компьютеры), создают электромагнитную среду.

Электромагнитной совместимостью (Electromagnetic Compatibility – EMC) называют способность электронного оборудования правильно работать в окружении электронных приборов. Хотя этот компьютер разработан с учетом законодательства по электромагнитным помехам, гарантировать отсутствие помех в каждом конкретном устройстве невозможно. Если данное оборудование создает помехи в работе служб радиосвязи, что можно определить, отключив это оборудование и снова включив его, попытайтесь устранить помехи с помощью одного или нескольких указанных ниже способов.

- Переориентируйте приемную антенну.
- Измените положение компьютера относительно приемника.
- Отодвиньте компьютер от приемника.
- Подключите компьютер к другой розетке, так чтобы питание компьютера и приемника осуществлялось от разных электроцепей.

Если необходимо, проконсультируйтесь у представителя службы технической поддержки корпорации Dell или у опытного радиотехника.

Компьютеры Dell проектируются, тестируются и классифицируются в соответствии с типом электромагнитного окружения, в котором предполагается их использовать. Такая классификация по электромагнитному окружению обычно основана на следующих согласованных определениях.

- Устройства класса А обычно рассчитаны на работу в административных или промышленных условиях.
- Устройства класса В обычно предназначены для использования в жилых районах.

Информационно-технологическое оборудование (ИТЕ), включая платы расширения, принтеры, устройства ввода-вывода, мониторы и прочие устройства, встраиваемые в компьютер или подключаемые к нему, должно соответствовать классу электромагнитного окружения компьютера.

**Замечание по поводу экранированных сигнальных кабелей.**

Для подключения устройств к любому устройству корпорации Dell используйте только экранированные кабели, чтобы уменьшить возможность возникновения помех для служб радиосвязи.

Использование экранированных кабелей гарантирует соблюдение соответствующего стандарта электромагнитной совместимости для рабочей среды. Кабель для подключения принтера к параллельному порту можно приобрести у корпорации Dell. При желании можно заказать кабель на сайте корпорации Dell по адресу: [accessories.us.dell.com/sna/segmenter/asp](http://accessories.us.dell.com/sna/segmenter/asp).

Большинство компьютеров Dell предназначены для использования в электромагнитных средах класса В. Однако включение некоторых параметров может изменить разряд некоторых конфигураций на класс А. Класс компьютера по электромагнитному излучению можно определить с помощью информации из разделов по отдельным странам. В каждом разделе содержится специфическая информация по EMC/EMI или по безопасности устройства для конкретной страны или группы стран.

### **Утилизация аккумуляторных батарей**



В компьютер можно устанавливать как ионно-литиевую аккумуляторную батарею, так и кадмиево-никелевую батарею. Инструкции по замене ионно-литиевой аккумуляторной батареи см. в соответствующем разделе документации по компьютеру Dell. Кадмиево-никелевые аккумуляторные батареи – это батареи с длительным сроком службы, и вполне возможно, их вообще не придется менять. Но если необходимость замены аккумуляторной батареи все же возникнет, ее должен делать только сертифицированный специалист службы технической поддержки.

Не выбрасывайте батареи вместе с бытовым мусором. Адрес ближайшего центра утилизации аккумуляторных батарей можно выяснить у местного предприятия по уничтожению отходов.



## Совместимость со стандартом ENERGY STAR®

Некоторые конфигурации компьютеров Dell™ соответствуют требованиям Управления по охране окружающей среды США (Environmental Protection Agency) для компьютеров, рационально использующих энергию. Если на передней панели компьютера есть эмблема ENERGY STAR®, то конфигурация соответствует этим требованиям, и в компьютере доступны все возможности ENERGY STAR® по управлению электропитанием.

**ПРИМЕЧАНИЕ.** Любой компьютер Dell с эмблемой ENERGY STAR® сертифицирован на соответствие требованиям EPA ENERGY STAR®, если его начальная конфигурация выполнена в корпорации Dell. Любые изменения в этой конфигурации (например установка дополнительных плат расширения или устройств) могут увеличить потребление электроэнергии сверх пределов, установленных программой энергосбережения ENERGY STAR® управления EPA.



Эмблема ENERGY STAR® на экране компьютера – это эмблема программы энергосбережения Агентства по охране окружающей среды США (EPA). Эта программа является результатом совместных усилий EPA и производителей компьютеров по уменьшению загрязнения окружающей среды путем разработки компьютеров, рационально использующих энергию. По оценкам EPA, использование компьютеров с эмблемой ENERGY STAR® позволит их владельцам сэкономить на электроэнергии до двух миллиардов долларов в год. В свою очередь, уменьшение потребления электричества может снизить выделение углекислого газа (вызывающего парниковый эффект), а также двуокиси серы и оксидов азота, являющихся причиной кислотных дождей.

С целью экономии электроэнергии и уменьшения побочных эффектов рекомендуется выключать компьютер, если он не используется в течение длительного времени, особенно ночью и в выходные дни.





## סילוק סוללות



המחשב שלך עושה שימוש בסוללת ליתיום-יון ובסוללת ניקל-קדמיום. לקבלת הוראות להחלפת סוללת הליתיום-יון במחשב, עיין בסעיף הדין בהחלפת הסוללה בתייעוד המחשב של Dell. סוללת הניקל-קדמיום היא סוללה בעלת טווח חיים ארוך, וסביר מאוד שלא תצטרך להחליף אותה לעולם. עם זאת, במקרה שיהיה עליך להחליף אותה, רק טכנאי שירות מוסמך רשאי לעשות זאת.

אל תשליך סוללה זו לאשפה יחד עם האשפה הביתית שלך. פנה לגוף המקומי האחראי לסילוק אשפה לקבלת כתובת האתר להפקדת סוללות משומשות הקרוב אליך.

## תאימות ל- ENERGY STAR®

תצורות מסוימות של מחשבי Dell™ תואמות לדרישות המוגדרות על-ידי הסוכנות להגנה על הסביבה (EPA) של ארה"ב לגבי מחשבים העושים שימוש יעיל באנרגיה. אם בחזית המחשב שלך מופיע סמל ENERGY STAR®, התצורה המקורית שלך תואמת לדרישות אלה וכל תכונות ניהול צריכת החשמל של ENERGY STAR® פעילות במחשב.

**הערה:** כל מחשב של Dell הנושא את סמל ENERGY STAR® מאושר כתואם לדרישות ENERGY STAR® של הסוכנות להגנה על הסביבה (EPA) של ארה"ב, בהתייחס לתצורת המחשב בעת שיווק על-ידי Dell. כל שינוי שיבוצע בתצורת המחשב (כגון התקנת כרטיסי הרחבה או כוננים נוספים) עשוי להגביר את צריכת החשמל של המחשב באופן שיביא להריגה מההגבלות של תוכנית המחשבים ENERGY STAR® של ה-EPA.



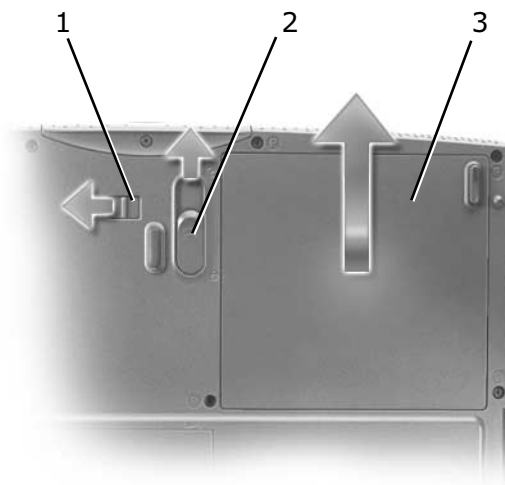
## סמל ENERGY STAR®

תוכנית המחשבים ENERGY STAR® של ה-EPA מהווה מאמץ משותף של ה-EPA ושל יצרני מחשבים להפחתת זיהום האוויר על-ידי קידום מוצרי מחשבים העושים שימוש יעיל באנרגיה. ה-EPA מעריכה כי השימוש במוצרי מחשבים התואמים ל-ENERGY STAR® יכול לחסוך למשתמשי מחשבים עלויות חשמל בסכום של עד שני מיליארד דולר בשנה. במקביל, צמצום זה של השימוש בחשמל יכול להפחית את הפליטה של פחמן דו-חמצני, הגז שהוא הגורם העיקרי לאפקט החממה, ושל גופרית דו-חמצנית ותחמוצות חנקן, הגורמים העיקריים לגשם חומצי.

באפשרותך גם לעזור להפחתת השימוש בחשמל ותופעות הלוואי שלו על-ידי כיבוי המחשב כאשר הוא אינו נמצא בשימוש למשך פרק זמן ארוך, במיוחד בלילה ובסופי שבוע.

תאימות אלקטרומגנטית (EMC) היא היכולת של פריטי ציוד אלקטרוני לפעול יחד באופן תקין בסביבה האלקטרונית. מחשב זה תוכנן ונקבע כתואם למגבלות של גופי תקינה לגבי EMI, אך אין ערובה לכך שלא תהיינה הפרעות בהתקנה מסוימת. אם ציוד זה גורם להפרעות בשירותי תקשורת רדיו, כפי שניתן לקבוע על-ידי הפעלה וכיבוי של הציוד, ניתן לנסות לבטל את ההפרעות באמצעות אחד או יותר מהצעדים הבאים:

- כוונן מחדש את אנטנת הקליטה.
  - שנה את מיקום המחשב ביחס למקלט.
  - הרחק את המחשב מהמקלט.
  - חבר את המחשב לשקע אחר, כך שהמחשב והמקלט יהיו מחוברים במעגלים שונים. בעת הצורך, התייעץ עם נציג תמיכה טכנית של Dell או עם טכנאי טלוויזיה/רדיו מנוסה לקבלת הצעות נוספות.
- מחשבי Dell מתוכננים, נבדקים ומסווגים בהתאם לסביבה האלקטרומגנטית המיועדת שלהם. ככלל, סיווגי הסביבה האלקטרומגנטית מתייחסים להגדרות המותאמות הבאות:
- Class A אופייני לסביבה עסקית או תעשייתית.
  - Class B אופייני לסביבת מגורים.
- ציוד טכנולוגיית מידע (ITE), כולל התקנים, כרטיסי הרחבה, מדפסות, התקני קלט/פלט, צגים וכן הלאה, המשולבים במחשב או מחוברים אליו, אמור להתאים לסיווג הסביבה האלקטרומגנטית של המחשב.
- הערה לגבי כבלי אותות מוגנים: השתמש בכבלים מוגנים בלבד לחיבור התקנים להתקן כלשהו של Dell, כדי לצמצם את האפשרות של הפרעה לשירותי תקשורת רדיו. השימוש בכבלים מוגנים מבטיח שמירה על סיווג ה- EMC המתאים לסביבה המיועדת. ניתן להזמין מ- Dell כבל למדפסת מקבילית. אם רצונך בכך, באפשרותך להזמין כבל מ- Dell באתר האינטרנט של החברה בכתובת [accessories.us.dell.com/sna/segmenter/asp](https://accessories.us.dell.com/sna/segmenter/asp).**



## התקנת סוללה

- 1 ודא שמנעול הסוללה נמצא במצב לא נעול.
- 2 החלק את הסוללה לתוך התא עד שתשמע את הנקישה של ידית שחרור הסגר.
- 3 נעל את הסוללה.

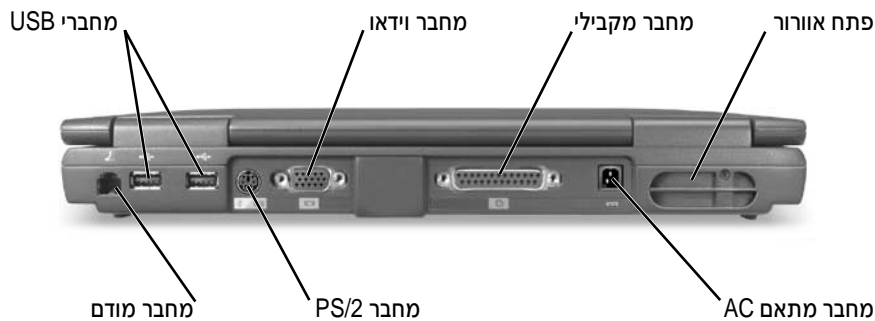
## תקנות

הפרעה אלקטרומגנטית (EMI) היא כל אות או פליטה המוקרנים בשטח פתוח או מובלים בקווי מתח או במוליכי אותות, המסכנים את התפקוד של ניווט רדיו או של שירות בטיחותי אחר, או פוגעים, חוסמים או מפריעים באופן תדיר ובצורה משמעותית לשירות תקשורת רדיו מורשה. שירותי תקשורת רדיו כוללים, אך אינם מוגבלים, לשידורים מסחריים של AM/FM, טלוויזיה, שירותים סלולריים, מכ"מ, בקרה אווירית, שירותי זימון (מכשירי איתורית) ושירותי תקשורת אישיים (PCS). שירותים מורשים אלה, יחד עם מכשירים הפולטים קרינה לא מכוונת כגון התקנים דיגיטליים, כולל מחשבים, תורמים לסביבה האלקטרומגנטית.

## מבט מאחור

**שים לב:** כדי למנוע נזק למחשב, המתן 5 שניות לאחר כיבוי המחשב לפני ניתוק התקן חיצוני.

**זהירות:** אין לחסום את פתחי האוורור, להכניס לתוכם חפצים או לאפשר לאבק להצטבר בהם. התוצאה עלולה להיות נזק למחשב או גרימת שריפה.



## הוצאת סוללה

**שים לב:** אם תבחר להחליף את הסוללה כאשר המחשב נמצא במצב המתנה, יהיו לך עד 4 דקות כדי להשלים את החלפת הסוללה לפני שהמחשב יכבה וכל הנתונים שלא נשמרו יאבדו.

לפני הוצאת הסוללה, ודא שהמחשב כבוי או מנותק משקע חשמל.

- 1 בטל את נעילת הסוללה.
- 2 הזז והחזק את סגר שחרור הסוללה.
- 3 הוצא את הסוללה.

### מבט משמאל



### מבט מימין

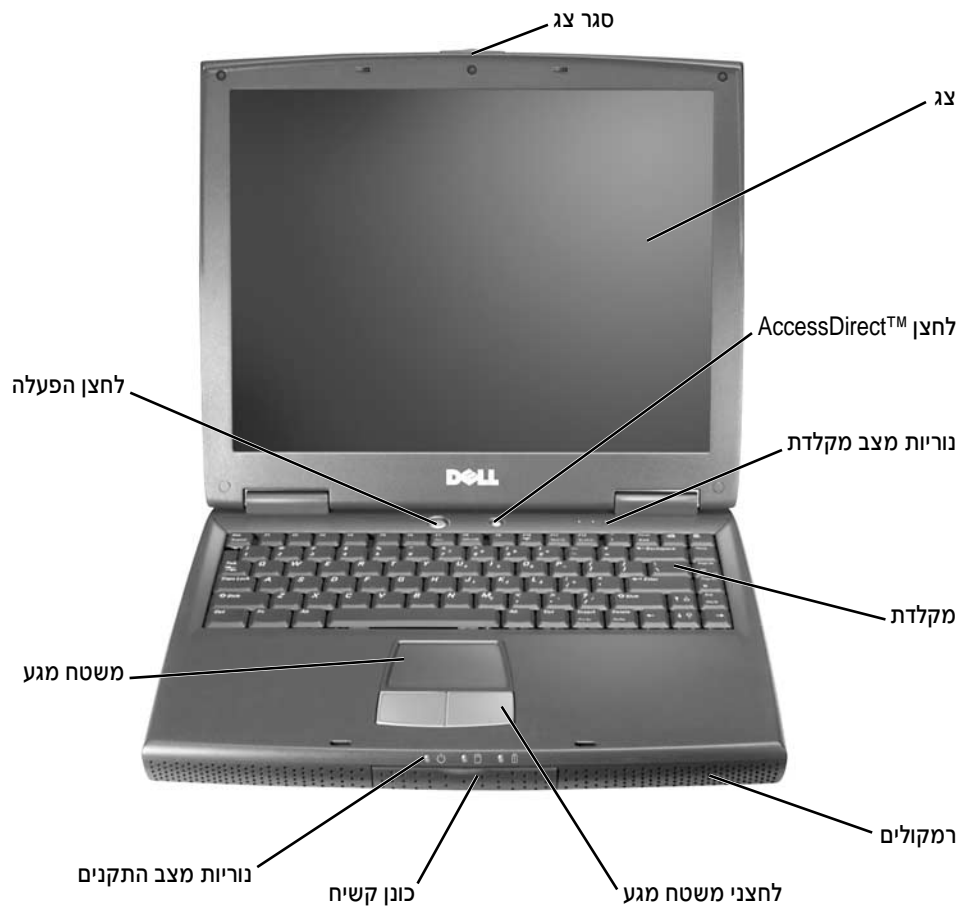




## רכיבי המחשב

מבט מלפנים

**⚠️ זהירות:** אין לחסום את פתחי האוורור, להכניס לתוכם חפצים או לאפשר לאבק להצטבר בהם. התוצאה עלולה להיות נזק למחשב או גרימת שריפה.



## הפעלת המחשב

כדי להפעיל את המחשב, פתח את צג המחשב ולחץ על לחצן ההפעלה.

**רמז:** אל תחבר למחשב כל התקן USB, כגון מדפסת או משכפל יציאות, בטרם הפעלת וכיבית את המחשב פעם אחת לפחות.



לחצן הפעלה



- הטיפול ברכיבים רגישים צריך להתבצע באזור נקי מחשמל סטטי. במידת האפשר, יש להשתמש במשטחי רצפה ובמשטחי שולחנות עבודה אנטי-סטטיים.

## תחילת העבודה

לשם הגדרת המחשב שלך:

- 1 הוצא את תיבת העזרים מהאריזה.
- 2 הוצא מתוך תיבת העזרים את הפריטים שתזדקק להם כדי להשלים את הגדרת המחשב. תיבת העזרים מכילה גם תיעוד למשתמש וכל תוכנה או חומרה נוספת (כגון כרטיסי PC, כוננים או סוללות) שהזמנת.

### חיבור מתאם ה-AC



**שיים לב:** המתן 5 שניות לאחר כיבוי המחשב לפני ניתוק התקן היקפי או הסרת מודול זיכרון, כדי למנוע נזק אפשרי ללוח המערכת.

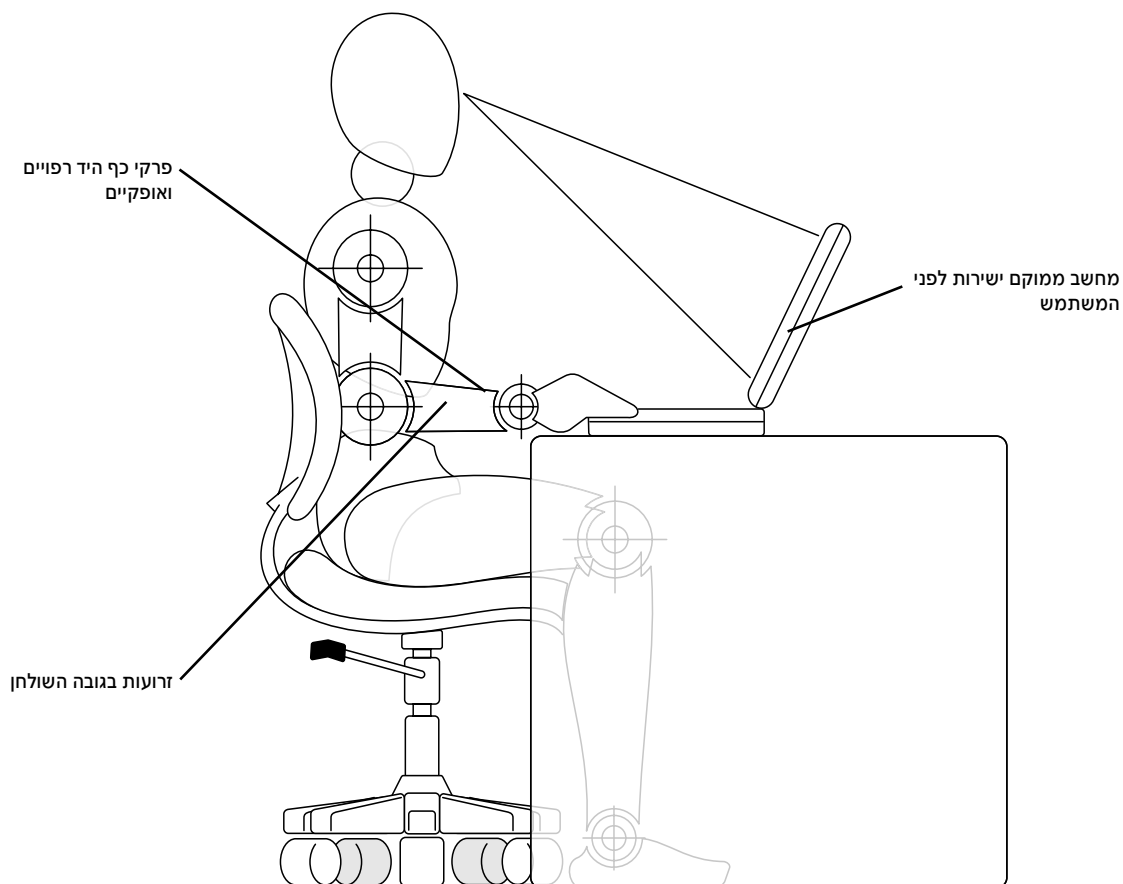
- 1 כבה את המחשב וכל התקן היקפי המחובר אליו.
  - 2 נתק את המחשב וההתקנים ההיקפיים משקעי החשמל כדי להפחית את האפשרות לנזק גופני או התחשמלות. כמו כן, יש לנתק מהמחשב קווי טלפון או תקשורת.
  - 3 הוצא את הסוללה הראשית מתא הסוללות, ובמקרה הצורך הוצא את הסוללה המשנית מתא המודול.
  - 4 פרוק מגופך חשמל סטטי על-ידי נגיעה במשטח המתכת שאינו צבוע בלוח הקלט/פלט בצדו האחורי של המחשב.
- בזמן העבודה, גע מדי פעם בלוח הקלט/פלט כדי לפזר חשמל סטטי העלול לגרום נזק לרכיבים פנימיים.
- ההודעה הבאה עשויה להופיע לאורך התיעוד של Dell כדי להזכיר לך את אמצעי הזהירות הללו:

**שיים לב:** ראה "הגנה מפני פריקה אלקטרוסטטית" במדריך המידע למערכת.

### הגנה מפני פריקה אלקטרוסטטית

- חשמל סטטי עלול לפגוע ברכיבים אלקטרוניים במחשב שלך. כדי למנוע נזק כתוצאה מחשמל סטטי, פרוק את החשמל הסטטי מגופך לפני שאתה נוגע ברכיבים האלקטרוניים של המחשב, כגון מודול זיכרון. ניתן לעשות זאת על-ידי נגיעה במשטח מתכת שאינו צבוע על לוח הקלט/פלט של המחשב.
- במהלך העבודה בתוך המחשב, עליך לגעת מדי פעם במחבר קלט/פלט כדי לפרוק מטען סטטי העשוי להצטבר בגופך.
- באפשרותך גם לבצע את הפעולות הבאות כדי למנוע נזק הנובע מפריקה אלקטרוסטטית (ESD):
- בעת הוצאת רכיב הרגיש למטען סטטי מהקופסה שלו, אין להוציא את הרכיב מהאריזה האנטי-סטטית עד להתקנת הרכיב. ממש לפני הסרת האריזה האנטי-סטטית, עליך לפרוק את החשמל הסטטי מגופך.
  - בעת הובלת רכיב רגיש, יש להניח אותו במיכל אנטי-סטטי או באריזה אנטי-סטטית.

- גוון את פעילויות העבודה שלך. השתדל לארגן את עבודתך כך שתימנע מהקלדה ממושכת. בתום ההקלדה, השתדל לבצע פעולות המצריכות שימוש בשתי הידיים.



### בעת הסרה או התקנה של מודולי זיכרון

לפני הסרה או התקנה של מודולי זיכרון, בצע את השלבים הבאים לפי הסדר המפורט.

- אם המחשב נרטב או ניזוק, בצע את ההליכים המתוארים בסעיף "פתרון בעיות" במדריך למשתמש. אם לאחר ביצוע הליכים אלה תוודא שהמחשב אינו פועל כראוי, פנה אל Dell (ראה "פנייה אל Dell" במדריך למשתמש לקבלת פרטים ליצירת קשר עם Dell).

## הרגלים ארגונומיים לשימוש במחשב

**⚠️ זהירות: שימוש שגוי או ממושך במקלדת עלול לגרום לפגיעה גופנית.**

**⚠️ זהירות: צפייה ממושכת בתצוגה או במסך צג חיצוני עלולה לאמץ את העיניים.**

לעבודה יעילה ונוחה, הקפד על ההנחיות הארגונומיות הבאות בעת הגדרת המחשב והשימוש בו:

- הצב את המחשב ישירות לפניך בזמן העבודה.
- כוונן את הזווית של מסך המחשב, את הגדרות החדות ו/או הבהירות שלו ואת התאורה שסביבך (כגון מנורות התלויות מהתקרה, מנורות שולחן ותריסים או וילונות על החלונות הסמוכים) כדי לצמצם ככל האפשר השתקפויות ובוהק מסנוור בצג.
- בעת שימוש בצג חיצוני יחד עם המחשב, מקם את הצג במרחק צפייה נוח (בדרך כלל 510 עד 610 מילימטרים [20 עד 24 אינץ'] מהעיניים). ודא שמסך הצג נמצא בגובה העיניים או מעט נמוך יותר כאשר אתה יושב מול הצג.
- השתמש בכיסא המעניק תמיכה טובה לגב התחתון.
- ודא שאמותיך ופרקי כף היד מאוזנים בתנוחה טבעית ונוחה בעת שימוש במקלדת, במשטח המגע, במוט העקיבה או בעכבר חיצוני.
- השתמש תמיד במשענת כף היד עם המקלדת, משטח המגע או מוט העקיבה. השאר מקום להנחת הידיים בעת שימוש בעכבר חיצוני.
- הנח לזרועותיך להישאר בתנוחה טבעית לצדי הגוף.
- שב זקוף כשרגליך נחות על הרצפה והירכיים מאוזנות.
- בזמן ישיבה, ודא שמשקל רגליך הוא על כפות רגליך ולא על חזית מושב הכיסא. כוונן את גובה הכיסא או השתמש במשענת לרגליים, אם יש צורך בכך, כדי לשמור על התנוחה הנכונה.

- אם בנסיעה אתה לוקח את הכונן הקשיח בנפרד מהמחשב, יש לעטוף את הכונן בחומר שאינו מוליך, כגון בד או נייר. אם הכונן נמצא אתך, היה מוכן להתקין אותו במחשב. ניתן להעביר את הכונן הקשיח דרך מכשיר רנטגן, אך אין להעביר את הכונן דרך גלאי מתכות.

- בנסיעות, אל תניח את המחשב בתא אחסון עילי שבו הוא חופשי ועלול להתנגש בחפצים אחרים. אין להפיל את המחשב או לחשוף אותו לזעזועים מכניים אחרים.

- הגן על המחשב, הסוללה והכונן הקשיח שלך מסכנות סביבתיות כגון לכלוך, אבק, מזון, נוזלים, טמפרטורות קיצוניות וחשיפת יתר לאור השמש.

- בעת העברת המחשב בין סביבות בעלות טווחי טמפרטורה ו/או לחות שונים מאוד, ייתכן שתופיע לחות על המחשב או בתוכו. כדי למנוע נזק למחשב, המתן עד שהלחות תתאדה לפני שימוש במחשב.

**שיים לב:** בעת העברת המחשב מטמפרטורה נמוכה לסביבה חמה יותר או מטמפרטורה גבוהה לסביבה קרירה יותר, יש לאפשר למחשב להסתגל לטמפרטורת החדר לפני הפעלתו.

- בעת ניתוק כבל, יש למשוך את המחבר או את לולאת שחרור המתח שלו ולא את הכבל עצמו. בעת משיכת המחבר החוצה, החזק אותו ישר כדי להימנע מכיפוף סיכות המחבר. בנוסף, לפני חיבור כבל, ודא ששני המחברים מותאמים כנדרש.

- טפל ברכיבים בזהירות. יש לאחוז ברכיבים כגון מודול זיכרון בקצוות ולא בפנינים.

- כשאתה מתכוון להוצאת מודול זיכרון מלוח המערכת או לניתוק התקן היקפי מהמחשב, כבה את המחשב, נתק את כבל מתאם ה- AC ולאחר מכן המתן 5 שניות לפני שתמשיך, כדי למנוע נזק אפשרי ללוח המערכת.

- נקה את הצג עם בד רך ונקי ועם חומר ניקוי חלונות מסחרי שאינו מכיל וקס או חומרים העשויים לגרום לשריטות או שחיקה. יש לשים את חומר הניקוי על הבד ולאחר מכן להעביר את הבד על פני הצג בכיוון אחד, מחלקו העליון של הצג לחלקו התחתון. אם יש על הצג שומן או חומר מזהם אחר, עליך להשתמש באלכוהול איזופרופיל ולא בחומר ניקוי חלונות מסחרי.

**זהירות: טיסות (הוראות בטיחות, המשך)**

• תקנות מסוימות של רשויות התעופה ו/או הגבלות של חברות תעופה ספציפיות עשויות לחול על הפעלת מחשב Dell™ שברשותך בעת שהותך במטוס. לדוגמה, תקנות/הגבלות אלה עשויות לאסור את השימוש בהתקנים אלקטרוניים אישיים (PED) שיש להם יכולת לשידור מכוון של תדר רדיו או אות אלקטרומגנטי אחר, בעת שהות במטוס.



– כדי לציית להגבלות הללו, אם מחשב Dell הנישא שברשותך מצויד בהתקן Dell TrueMobile™ או בהתקן תקשורת אלחוטי אחר, עליך לנטרל התקן זה לפני עלייתך למטוס ולמלא את ההוראות של צוות המטוס באשר להתקן זה.



– בנוסף, במטוסים עשוי לחול איסור על שימוש בהתקנים אלקטרוניים אישיים, כגון מחשב נישא, בשלבים קריטיים של הטיסה, כגון המראה ונחיתה. חברות תעופה מסוימות עשויות להגדיר את השלב הקריטי של הטיסה כזמן שהמטוס נמצא בגובה שמתחת ל- 3050 מטר (10,000 רגל). נא הישמע להוראות הספציפיות של חברת התעופה באשר לזמן בו מותר להשתמש בהתקנים אלקטרוניים אישיים.








**בעת השימוש במחשב שלך**

פעל בהתאם להנחיות הבאות לטיפול בטוח במחשב, כדי למנוע נזקים:






- בעת הגדרת המחשב לעבודה, יש להניח אותו על משטח ישר.
- בנסיעות, אל תפקיד את המחשב כמטען. ניתן להעביר את המחשב דרך מכשיר רנטגן, אך אין להעביר את המחשב דרך גלאי מתכות. אם המחשב נמצא אתך בנסיעה, ודא שיש לך סוללה טעונה זמינה למקרה שתבקש להפעיל את המחשב.



## זהירות: סוללה (הוראות בטיחות, המשך)

- השתמש רק במודולי סוללות של Dell שאושרו לשימוש עם מחשב זה. השימוש בסוגים אחרים עלול לגרום לשריפה או להתפוצצות.  
- אין לשאת את מארז הסוללה בכיס, בארנק, או בכל מיכל אחר שבו חפצים מתכתיים (כגון מפתחות רכב או מהדקי נייר) עלולים לגרום לקצר חשמלי בסוללה. הזרם החשמלי העודף עלול להביא לטמפרטורה גבוהה מאוד, וכתוצאה מכך לגרום נזק למארז הסוללה, או לגרום לשריפה או לכוויות. 
- הסוללה עלולה לגרום לכוויה אם הטיפול בה לקוי. אין לפרק את הסוללה. יש לטפל בזהירות רבה במארז סוללה פגום או דולף. אם הסוללה ניזוקה, חומר האלקטרוליט עלול לדלוף מתאי הסוללה ולגרום לפציעה.
- הרחק את הסוללה מהישג ידם של ילדים.
- אין לאחסן או להשאיר את המחשב או את מארז הסוללה ליד מקור חום כגון רדיאטור, אה, תנור בישול, תנור חימום חשמלי או מכשיר אחר המפיק חום, ואין לחשוף אותם לטמפרטורה העולה על 60 מעלות צלזיוס. בעת התחממות-יתר, תאי הסוללה עלולים להתפוצץ ולהוות סכנה לשריפה.  
- אין לזרוק את סוללת המחשב לאש ואין להשליך אותה יחד עם אשפה ביתית רגילה. תאי הסוללה עלולים להתפוצץ. יש לסלק סוללות משומשות בהתאם להוראות היצרן, או לפנות אל ארגון פינוי האשפה המקומי לקבלת הוראות. יש לסלק סוללה משומשת או פגומה במהירות האפשרית.  

## זהירות: חשמל (הוראות בטיחות, המשך)

- יש להשתמש רק במתאם ה-AC שסופק על-ידי Dell, המאושר לשימוש עם מחשב זה. שימוש במתאם AC אחר עלול לגרום לשריפה או להתפוצצות.  
- לפני חיבור המחשב לשקע חשמל, בדוק את אומדן המתח של מתאם ה-AC כדי להבטיח שהמתח החשמלי והתדר הדרושים תואמים למקור החשמל הזמין.
- כדי לנתק את המחשב מהחשמל, כבה אותו, הוצא את מארז הסוללה ונתק את מתאם ה-AC משקע החשמל.
- למניעת התחשמלות, חבר את מתאם ה-AC ואת כבלי החשמל ההיקפיים למקורות כוח המוארקים כנדרש. כבלי חשמל אלה עשויים להיות בעלי תקע של שלוש שיניים, כדי לספק הארקה. אין להשתמש בתקע של מתאם ואין להוציא את שן ההארקה מתקע כבל החשמל. אם אתה משתמש בכבל מאריך, השתמש בסוג המתאים, בעל שתי שיניים או שלוש שיניים, כדי שיתאים לכבל החשמל של מתאם ה-AC. 
- ודא שדבר אינו מונח על כבל החשמל של מתאם ה-AC ושהכבל אינו נמצא במקום בו אנשים עשויים להיתקל בו או לדרוך עליו.
- אם אתה משתמש במעביר חשמלי עם שקעים מרובים, היזהר בעת חיבור כבל החשמל של מתאם ה-AC לתוך המעביר. במעבירים חשמליים מסוימים ניתן לחבר את התקע באופן שגוי. הכנסה שגויה של תקע החשמל עלולה לגרום לנזק בלתי הפיך למחשב, ולסכנת התחשמלות ו/או שריפה. ודא שהכנסת את שן ההארקה של תקע החשמל לשקע ההארקה המתאים במעביר החשמלי.  

- מתאם ה- AC עשוי להתחמם במהלך הפעולה הרגילה של המחשב. היזהר בעת טיפול במתאם במהלך פעולת המחשב או מיד אחריה.
- אין לאפשר פעולה של המחשב הנישא כאשר הבסיס מונח ישירות על עור חשוף למשך פרקי זמן ממושכים. טמפרטורת פני השטח של הבסיס תעלה בעת הפעלה רגילה (במיוחד אם מדובר בזרם חילופין). מגע ממושך עם עור חשוף עלול לגרום לאי-נוחות, או בסופו של דבר לכוויה.
- אין להשתמש במחשב בסביבה רטובה, לדוגמה ליד אמבטיה, כוור או בריכת שחיה, או במרתף רטוב.
- אם המחשב שלך כולל מודם משולב או מודם אופציונלי (כרטיס PC), נתק את כבל המודם במקרה של סופת ברקים כדי להימנע מהסיכון הקלוש להתחשמלות מפגיעת ברק דרך קו הטלפון.
- כדי להימנע מהאפשרות של התחשמלות, אין לחבר או לנתק כבלים ואין לבצע פעולות תחזוקה או שינוי תצורה של מוצר זה במהלך סופת ברקים. אין להשתמש במחשב במהלך סופת ברקים אלא אם נותקו כל הכבלים והמחשב פועל על סוללה בלבד.
- אם המחשב שלך כולל מודם, יש לוודא שהכבל הנמצא בשימוש עם המודם יהיה כבל עם גודל תיל מינימלי של 26 AWG ושהתקע יהיה תקע מודולרי RJ-11 התואם לתקן FCC.
- כרטיסי PC עשויים להתחמם מאוד בזמן הפעלה רגילה. יש להיזהר בעת הוצאת כרטיסי PC לאחר הפעלה ממושכת.
- לפני ניקוי המחשב, יש לנתק את אספקת החשמל. יש לנקות את המחשב עם מטלית רכה ולחה. אין להשתמש בחומר ניקוי נוזלי או בתרסיס, העשויים להכיל חומרים דליקים.



## הוראות בטיחות ושימוש

### זהירות: הוראות בטיחות



המידע שלהלן מגדיר את משמעותם של סמלים נוספים בהם נעשה שימוש רק ב"הוראות בטיחות ושימוש".

כלי טיס



סכנת התפוצצות



עשוי לחול איסור על שימוש בתכונה זו

בכלי טיס



סכנת שריפה



סכנת התחשמלות



### זהירות: כללי (הוראות בטיחות, המשך)



- אל תנסה לטפל במחשב בעצמך, אלא אם הנך טכנאי שירות מוסמך. בצע תמיד את ההוראות ההתקנה.
- אם אתה משתמש בכבל מאריך עם מתאם ה-AC שברשותך, ודא שאומדן האמפר הכולל של המוצרים המחוברים לכבל המאריך אינו עולה על אומדן האמפר של הכבל המאריך.
- אין להכניס חפצים לפתחי האוורור או לפתחים אחרים של המחשב שלך. פעולות אלה עלולות לגרום לשריפה או להתחשמלות כתוצאה מקצר חשמלי ברכיבים פנימיים.
- הצב את מתאם ה-AC במקום מאוורר, למשל על שולחן העבודה או על הרצפה, בעת השימוש בו לשם הפעלת המחשב או טעינת הסוללה. אין לכסות את מתאם ה-AC בנייר או בפריטים אחרים המפחיתים את הקירור; בנוסף, אין להשתמש במתאם ה-AC בתוך תיק לנשיאה.







# תוכן העניינים

149	הוראות בטיחות ושימוש
149	זהירות: הוראות בטיחות
153	בעת השימוש במחשב שלך
155	הרגלים ארגונומיים לשימוש במחשב
156	בעת הסרה או התקנה של מודולי זיכרון
157	הגנה מפני פריקה אלקטרוסטטית
158	<b>תחילת העבודה</b>
158	חיבור מתאם ה-AC
159	הפעלת המחשב
160	רכיבי המחשב
162	הוצאת סוללה
163	התקנת סוללה
163	<b>תקנות</b>
165	סילוק סוללות
165	תאימות ל-ENERGY STAR®
165	סמל ENERGY STAR®

# רמזים, הודעות לתשומת לב ואזהרות

 **רמז:** רמז מציינ מידע חשוב המסייע לך לנצל ביתר יעילות את המחשב שלך.

 **שים לב:** הודעת "שים לב" מציינת נזק אפשרי לחומרה או אובדן נתונים, ומסבירה כיצד ניתן למנוע את הבעיה.

 **זהירות:** הודעת "זהירות" מציינת אפשרות של נזק לרכוש, פגיעה גופנית או מוות.

## קיצורים וראשי תיבות

לקבלת רשימה מלאה של קיצורים וראשי תיבות, עיין בקובץ העזרה *Tell Me How* (ספר לי כיצד). (במערכת ההפעלה *Microsoft® Windows® XP*, לחץ על לחצן **Start** (התחל) בשולחן העבודה של *Windows*, לחץ על **Help and Support** (עזרה ותמיכה), לחץ על **User and system guides** (מדריכים למשתמש ולמערכת), לחץ על **User's guides** (מדריכים למשתמש) ולאחר מכן לחץ על **Tell Me How** (ספר לי כיצד). ב-*Windows 2000*, לחץ על לחצן **Start** (התחל), הצבע על **Programs** (תוכניות), הצבע על **User's Guides** (מדריכים למשתמש) ולאחר מכן לחץ על **Tell Me How** (ספר לי כיצד).

---

המידע במסמך זה עשוי להשתנות ללא התראה.

© 2001-2002 Dell Computer Corporation. כל הזכויות שמורות.

חל איסור מוחלט על שנתוק כלשהו ללא הרשאה בכתב מ- Dell Computer Corporation.

סימנים מסחריים הנמצאים בשימוש בטקסט זה: *Dell*, הלוגו של *DELL*, *AccessDirect*, *Inspiron* ו-*TrueMobile* הם סימנים מסחריים של *Microsoft*; *Windows* ו-*Microsoft* הם סימנים מסחריים רשומים של *Microsoft Corporation*; *ENERGY STAR* הוא סימן מסחרי רשום של הסוכנות להגנה על הסביבה (Agency Protection Environmental) של ארה"ב. כשותפה של *ENERGY STAR*, חברת *Dell Computer Corporation* קבעה שמוצר זה עומד בהנחיות *ENERGY STAR* לשימוש יעיל באנרגיה. ייתכן וייעשה שימוש בסימנים מסחריים ושמות מסחריים אחרים במסמך זה כדי להתייחס לישויות הטוענות לבעלות על הסימנים והשמות, או למוצרים שלהם. *Dell Computer Corporation* מוותרת על כל חלק קנייני בסימנים מסחריים ושמות מסחריים פרט לאלה שבבעלותה.

2650 – 2600 גרסה Dell™ Inspiron™

# מדריך מידע למערכת

